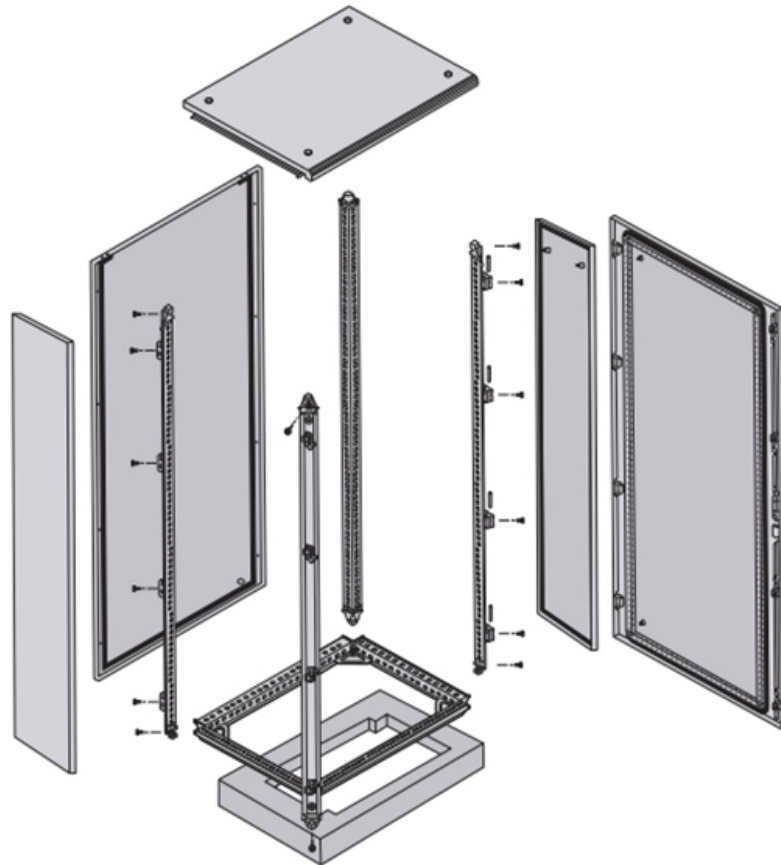




ZTP Thermal & Power

48-core red-headed and green-tailed optical fiber cable continuation





48-core red-headed and green-tailed optical fiber cable continuation

OPTICAL GROUND WIRE (OPGW)

The optical fiber shall be made of high pure silica and germanium doped silica. UV curable acrylate material is applied over fiber cladding as optical fiber primary protective coating.

[Read More](#)

Fiber Color Code Guide: TIA-598 Standard Explained

Understand the TIA-598 fiber color code system for jackets, fibers, and connectors. Learn color meanings for single-mode and multimode optical cables.

[Read More](#)



048EC5-14100D53 , SST-Ribbon Single-Tube, Gel

Providing up to 216 fibers in a compact design, the enhanced coupling features ensure the ribbon stack and cable act as one unit, providing long-term reliability in

[Read More](#)

HES 48 Core Steel Armored Fiber Optic Cable OM3

This HES branded fiber optic cable series, enhanced with OM3 MultiMode fiber technology, offers a wide range of applications with single-tube and multi-tube

[Read More](#)

48 Core Fiber Optic Cable GYTY53 Outdoor Armored

48 Core Fiber Optic Cable GYTY53 Outdoor Armored Double Jacket Waterproof Gel Filled loose tube direct burial is used for direct buried underground, it suit for long

[Read More](#)



Color Codes and Counting Directions for Fiber Optic Cables

About Color Code Systems Fibers, tubes and ribbons in fiber optic cables are marked with different colors and bar codes to facilitate identification. Hexatronic offers cables with color code systems

[Read More](#)

Fiber Optic Cable Color Codes

Color codes are used in fiber optics to identify fibers, cables and connectors. In the photos above, on the left is a 1728 fiber cable with color coded buffer tubes, in the

[Read More](#)

Fiber Optic Cable Color Codes: TIA-598, S12, Type E,



Reference guide to fiber optic cable color codes: TIA-598, S12, Standard Type E, FIN2012. Identify fibers and tubes easily.

[Read More](#)

24 Core and 48 Core Fiber Optic Cable

The optical fiber elements are typically individually coated with layers and contained in a protective tube suitable for the environment where the cable will be deployed.

[Read More](#)

HES 48 Core Steel Armored Fiber Optic Cable OM1 62.5/125 μ

HES 48 Core Multiple Tube Steel Armored Fiber Optic Cable, OM1 62.5/125 μ MultiMode. Provides high-capacity data transmission and long-lasting durability.

[Read More](#)



24 Core and 48 Core Fiber Optic Cable

Starting custom your ideal cable size by E-mail: sales@huadongcablegroup Get Price 24 and 48 core optic fiber cable parameter: Starting custom your ideal cable

[Read More](#)

Sumitomo optical fiber 48 core

Sumitomo 48-core fiber optic cable is a completely standard cable that is suitable for terrestrial environments. This fiber optic cable has a single mode function and its wires are waterproof and

[Read More](#)

Color Codes and Counting Directions For Fiber Optic

The document discusses various color coding standards used to identify fibers, tubes, and ribbons in fiber optic cables. These include the TIA/EIA-598 (Bellcore)



[Read More](#)

Techlogiks 48 Core Single Mode Indoor/Outdoor

48 core Single mode Indoor/Outdoor Unarmored Fiber Optic Cable Techlogiks loose tube cables are the product of choice as the backbone in Indoor/Outdoor

[Read More](#)

OPGW 48 Core Optical Fiber Cable , China OPGW 48 Core Cable

Ideal for power transmission lines, our OPGW cables offer reliable telecommunications and lightning protection. Contact us for custom OPGW 48 core cable solutions.

[Read More](#)



What Color Are The 4-core,12-core,48-core,96-core And 144-core Optical

The 144-core is generally composed of 12 bundles, and each branch-beam chromatography is divided into 12-core blue, orange, green, brown, gray, white, red, black, yellow, purple, pink and turquoise.

[Read More](#)

Overhead G.652D 48 Core Opgw Cable Fiber Optic Cable

An optical ground wire also known as an OPGW or, in the IEEE standard. An OPGW cable contains a tubular structure with one or more optical fibers in it, surrounded

[Read More](#)

48 Core Optical Fiber Cable with OS2/G652D Fiber

These steel tape armored cables are suitable for installation for long haul communication and LANs, especially suitable for the situation of high requirements of moisture resistance.



Fiber Optic Color Code: The Ultimate TIA-598-C Guide

Master the TIA-598-C fiber optic color code standard. Read our complete guide and use our free interactive calculator to easily identify 1-144 core cables.

[Read More](#)

48 Fiber MPO Fiber Cables

Each 48 Fiber MPO cable is able to consolidate the amount of multifiber cable assemblies into a single harness, eliminating unnecessary clutter and heft from

[Read More](#)

The Ultimate Guide to Fiber Color Code - VCELINK



Fiber color code plays a vital role in modern fiber cable installation, simplifying the process of installation, repair, and troubleshooting.

[Read More](#)

12 Core Optical Fiber Cable Specification

Single-mode /multimode for option OM3 for multimode Optical Fiber 12 Cores Inside Compatible with all standard fibre optic equipment and connectors Stainless Steel sheathed and metal braiding

[Read More](#)

Color Arrangement Rules For Optical Fiber

The color arrangement for optical fiber cables is standardized to ensure consistent identification of individual fibers during installation, splicing, and

[Read More](#)



48 Core Optical Fiber cable

Shop 48 Fiber Metallic Armored OFC cable at best price (Optical Fiber Cable) for high-speed, long-distance data transmission. Durable and

[Read More](#)

48 Core Optical Fiber Cable with OS2/G652D Fiber

Product Description Product Description 48 core optical fiber cable with OS2/G652d fiber GYTS is used for duct or aerial applications. These steel tape armored cables are suitable for installation for long

[Read More](#)

48 Core/24 Cores OPGW Fiber Optic Cable

OPGW cable is suitable for installation on new power lines with double function of ground



wire and communication. Especially for installation on normal voltage and

[Read More](#)

ADSS optical fiber cable 48 fiber cores

ADSS optical fiber cable 48 fiber cores as well known as All-dielectric self-supporting cable developed to transport light signal during aerial FTTX line constructions.

[Read More](#)

OPGW 48 Core Optical Fiber Cable

Zion Communication is a leading China manufacturer of OPGW 48 Core Optical Fiber Cable, providing high-quality Optical Ground Wire solutions with robust mechanical strength and excellent fiber

[Read More](#)

Contact Us



For datasheets, pricing, or custom data center infrastructure solutions, please visit:
<https://www.zeldaterblanchephotography.co.za>