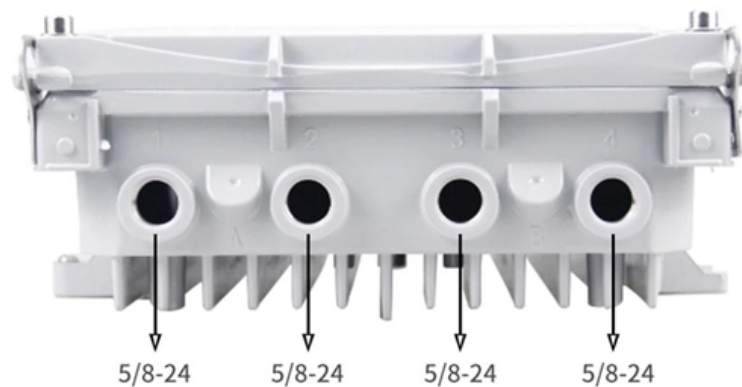


96-core outdoor overhead optical cable





96-core outdoor overhead optical cable

Multi-Loose Tube Fiber Cable

Universal (Indoor/Outdoor) dry core optical fiber Multi Loose Tube cable with glass yarns as strength member and Low Smoke Zero Halogen outer jacket. Product

[Read More](#)

96 Core Fiber Splice Closure 1 in 4 out For Cable Joint

The fiber optic splice closure is used for direct and branch connection during optical fiber transmission and provides joint connection protection. The 96 core fiber

[Read More](#)



Double Jacket ADSS Cable Aerial Outdoor

Double Jacket ADSS Cable Aerial Outdoor 12/24/36/48/96 Core Aerial Outdoor All-dielectric self-supporting (ADSS) fiber optic cables Fiber Type: ITU

[Read More](#)

Outdoor 96 Core Optical Fiber Cable for Communication

Main products are optical fiber cables, data cables, communications cables etc. Its yearly productive capabilities are 4 million core kilometers, 0.5 million boxes, and

[Read More](#)

GBDIC96

Product feature: This cable has improved rodent protection by Corrugated Steel Tape (Full Rodent Protected). Existing out of 8 tubes with a diameter of 1.9mm with 96 fibers (8t x 12f) MM OM5.

[Read More](#)



OPGW Cable Optical Fiber Composite Overhead Ground Wire 12 24

OPGW Cable Optical Fiber Composite Overhead Ground Wire 12 24 32 48 72 96 Core G652D G655 G655C for Power Transmission Line

[Read More](#)

GYTA53 48-96 Core Armored Fiber Optic Cable for Direct Burial

High-performance GYTA53 armored fiber optic cable with 48-96 cores, designed for direct burial and harsh environments. Features aluminum armor, gel-filled tubes, and UV-resistant PE jacket for

[Read More](#)

Composite Overhead Optical Fiber Cable OPGW 48/96



High quality Composite Overhead Optical Fiber Cable OPGW 48/96 Cores Single Mode from China, China's leading product market FTTH Drop Cable product

[Read More](#)

GBCUF96

Outdoor dry core optical fiber Multi Loose Tube cable with glass yarns as strength member, Corrugated Steel Tape (Full Rodent Protected) armor and polyethylene outer jacket.

[Read More](#)

ADSS Fiber Optic Cable Outdoor Aerial Optical Cable

ADSS fiber optical cable is All-dielectric Self-supporting Cable for Aerial application. ADSS fiber cable is cheaper than OPGW (Optical Fiber Composite Overhead

[Read More](#)



GYTS Outdoor Armored Fiber Cable 96 Core

GYTS Outdoor Armored Fiber Cable 96 Core GYTS optical cable generally refers to layer twisted optical cable. taining optical fibers twisted into a round cable core around the central reinforcing member.

[Read More](#)

Fiber Optic Splice Closures Horizontal 12 24 Core

Fiber optic splice closures are one of the most important types of equipment for user access points, and junction box fiber optic splice cases are used to protect and

[Read More](#)

96 core fiber optic cable outdoor

The 96 core fiber optic cable outdoor is widely versatile, serving numerous applications across different sectors: Telecommunications: Provides backbone connectivity for



internet service

[Read More](#)

Outdoor 96 Core Optical Fiber Cable for Communication

Hongan optical fiber cable company has always stood on high starting point, high technology and high standard since it was founded. Production capacity is 50

[Read More](#)

12-core GYXTW Single-mode G652D Central Loose Tube Structure Outdoor

Guangzhou Jiqian Fiber Optic Cable Co., Ltd. is a professional high-tech manufacturer integrating R& D, production and sales of 2-288 core fiber optic cables. Located in Guangzhou, China, we specialize in

[Read More](#)



ADSS Fiber Optic Cable Outdoor Aerial Optical Cable

This ADSS fiber optic cable structure has no metal substance inside, suitable for lightning area, high voltage area, designed for voice, data, broadband and CATV

[Read More](#)

Fiber Optical ASU/ADSS Cable 12/48/72/96/144 Core Outdoor FTTX

Optical Fiber Cable for FTTH Network: This ADSS cable is specifically designed for Fiber-to-the-Home (FTTH) networks, providing a reliable and efficient means of connectivity for high-speed internet and

[Read More](#)

Enbeam OS2 Fibre Optic Cable Loose Tube 96 Core Eca Black

Enbeam OS2 Singlemode Fibre Optic Cable Loose Tube 96 Core 9/125 Copolymer Eca



Black, part of a huge range of OS2 fibre optic cables fully stocked at Mayflex. The singlemode fibre is G.652.D

[Read More](#)

OPGW Fiber Optic Cable Bare Conductor High Voltage 35kV 24/36/48/96

OPGW Fiber Optic Cable Bare Conductor High Voltage 35kV 24/36/48/96/144 Core G652D G655C Overhead Cable Per KM Price

[Read More](#)

Double Jacket ADSS Cable Aerial Outdoor

The double-jacket cable design allows for high tensile strength with more aramid yarn. For this reason, double-jacket designs are almost always required in

[Read More](#)



096EC5-14100D53 , SST-Ribbon Single-Tube, Gel

Providing up to 216 fibers in a compact design, the enhanced coupling features ensure the ribbon stack and cable act as one unit, providing long-term reliability in

[Read More](#)

Outdoor Fiber Optic Cable , Outside Plant Fiber (OSP) Cable

Fiber optic cables for outdoor applications are engineered to withstand the more demanding conditions seen outside, from environmental extremes to mechanical forces. These are the outdoor fiber optic

[Read More](#)

24 core fiber optic cable price per meter

Find 24 core fiber optic cable price per meter for various applications. Shop our selection of durable, high-quality optic fiber cables for reliable communication.



High Quality FTTH Outdoor Fiber Optic Cross Connect

Fiber Cabinet is an outdoor optical device designed specifically for outdoor fiber optic access networks, which enables the connection, splicing, storage, and

[Read More](#)

24 core single mode fiber optic cable

24 core single mode fiber optic cable for outdoor use. GYTS, GYXTW, and GYFY cables offer high performance and reliability. Shop now for telecom needs!

[Read More](#)

Multi-Loose Tube Fiber Cable



Outdoor dry core optical fiber Multi Loose Tube cable with glass yarns as strength member, Corrugated Steel Tape (Full Rodent Protected) armor and polyethylene outer jacket. Product feature: This cable

[Read More](#)

96 Core Fiber Optic Cable Price List

Discover 96 core fiber optic cable price list with G652D single mode, PE sheath, and CE/ISO9001 certification for aerial, outdoor telecom applications.

[Read More](#)

96 Core Outdoor Fiber Optic Cable G652D Opgw

Single Mode G652D OPGW Outdoor Fiber Optic Cable 12 24 36 48 Fibers Fiber Optic Cable OPGW Central Stainless Steel Tube Aluminum Single Mode 24core

[Read More](#)



ADSS Fiber Cable 12-96 Cores for Outdoor Overhead Installation

Durable ADSS fiber optic cable with 30-year lifespan, waterproof design, and high tensile strength. Ideal for power line communications and aerial installations.

[Read More](#)

Contact Us

For datasheets, pricing, or custom data center infrastructure solutions, please visit:
<https://www.zeldaterblanchephotography.co.za>