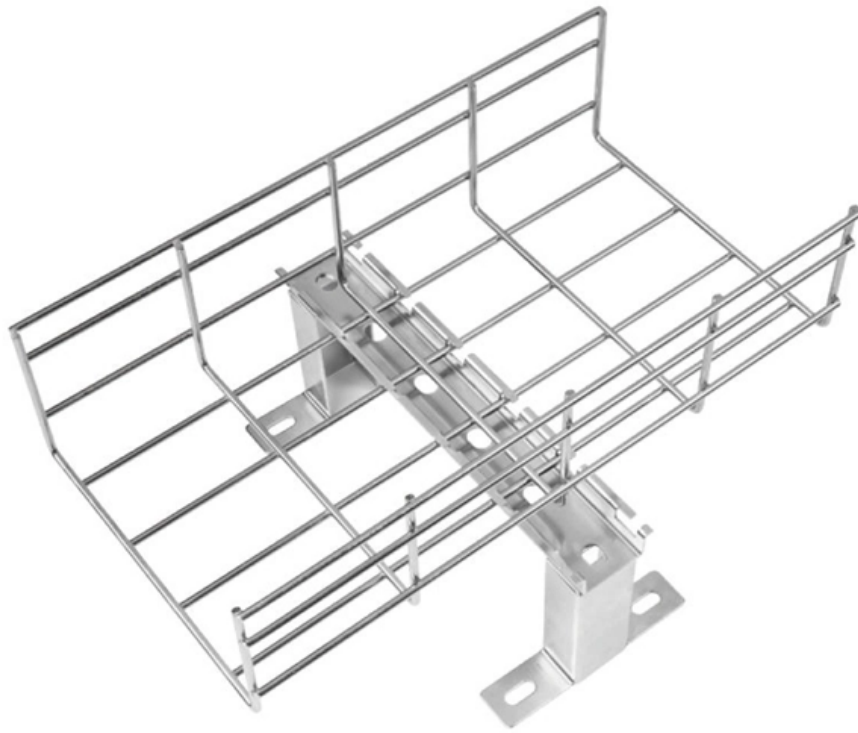




ZTP Thermal & Power

A pair of TP gigabit single-mode fiber optic transceivers





A pair of TP gigabit single-mode fiber optic transceivers

Single Mode SFP Fiber Module

For horizontal shorter-length run, the Fastcabling modules are available with single mode fiber to suit your fiber connectivity applications. It can transmit data up to 20

[Read More](#)

ipolex Gigabit Single-Mode LC Fiber to Ethernet Media

About this item Seamless Conversion of LC Fiber to Copper - This fiber optic to ethernet media converter kit includes a single mode 1000BASE-LX SFP module (1310nm), which enables you to convert 1000BASE-LX Duplex LC fiber to 10/100/1000 Base-T RJ-45 copper media or vice versa.

[Read More](#)



10Gtek 10/100/1000M Gigabit Fiber Media Converter,

A pair of 10/100/1000M Gigabit Ethernet Media Converter, Single mode, Single fiber, RJ45 to SC, 20KM Cisco 10GBASE-LR SFP+ Optical Transceiver Connectivity

[Read More](#)

FOA

FOA Fiber Optic Timeline Created by the Fiber Optic Association as an educational project to help document the history of the development of fiber optics for communications. Dates, of course, are

[Read More](#)

TL-MC101 , Gigabit Single-Mode Media Converter , TP-Link

TL-MC101 is a media converter designed to convert 1000BASE-LX fiber to 1000Base-T copper media or vice versa. Designed under IEEE802.3ab



1 Gigabit Singlemode SFP Fiber Optic Transceivers

Our 1 Gigabit Singlemode SFP Transceivers offer high-performance, reliable connectivity for singlemode fiber optic networks. These transceivers are

[Read More](#)

10 Gigabit Singlemode SFP+ Fiber Optic Transceivers

Enhance 10GbE network performance with singlemode SFP+ transceivers, offering reliable, long-range connectivity from 10 km to 100 km for high-capacity systems.

[Read More](#)

ipolex A Pair of Bidi Gigabit Single-Mode LC Fiber to Ethernet



Media

Buy ipolex A Pair of Bidi Gigabit Single-Mode LC Fiber to Ethernet Media Converter, with BiDi SFP LX Module, 1310nm/1550nm, SMF, up to 20-KM, 1.25G Fiber Media Converter, 1000Base-LX to

[Read More](#)

Sfp Modules

1 Pair Single Mode SC Connector Optical Fiber Transceiver BIDI 1.25g SFP Module 1310/1550 5KM/20KM/40KM/60KM/80KM SFP Module PHP550.00 24% Off Vouchers save 24% 1.3K sold

[Read More](#)

5 Pair 1.25G BiDi SFP Fiber Transceiver Module, 1000BASE-BX-D, Single

1.25G offeri SFP Transceiver Pair for Single-Mode Fiber Networks This offeri SFPtransceiver pair is specifically designed for high-speed opticalcommunications,



supporting 1000BASE-offerl

[Read More](#)

10Gtek 1.25G SFP Transceiver 1000Base-LX, 1310nm SMF

1000BASE-LX/LH SFP to LC Optical Gigabit Ethernet Fiber transceiver module, 1.25G Singlemode MiniGBIC SFP (supports OS1/OS2/OS3 fiber cables), Duplex LC connector, 1310nm, DDM, up to 13km. [Wide Compatibility] Compatible with Cisco GLC-LH-SMD, Meraki MA-SFP-1GB-LX10, Ubiquiti UniFi, Fortinet,

[Read More](#)

1.25G Gigabit SFP Module 1000BASE-LX/LH 1310nm 10km DDM Single-Mode

Widely used in fiber switches, routers, NIC, server or other fiber optic equipments with Gigabit SFP ports. 1000Base-LX/LH SFP module: 1000Mbps data rate, Single-Mode, duplex LC connector,

[Read More](#)



10G SFP+ Optical Transceivers , Transceiver Module

FS 10GbE SFP+ module solutions provide a wide variety of 10 Gigabit Ethernet connectivity options for data centers, enterprise wiring closets, Internet Service

[Read More](#)

Single-mode transceiver, Single-mode transceiver module

Single - Mode Fiber-Optic Transceiver /Modem Improve safety, signal integrity, and reliability by using two optical fibers instead of wire to transfer bidirectional serial data using single - mode

[Read More](#)

Offizieller BlueOptics SFP Hersteller

Kaufen Sie BlueOptics SFP, SFP+, QSFP und QSFP28 Transceiver, DAC und AOC Kabel



direkt ab Lager. Versand heute.

[Read More](#)

Gigabit Fiber SFP Optical Transceiver Module

The transceiver is available as a mini-GBIC form factor, making it ideal for environments that require many fiber connections by taking up less space in your

[Read More](#)

10Gtek 10/100/1000M Gigabit Fiber Media Converter,

Hifiber's A7S2-33-1GX1GT-SC20A/A7S2-33-1GX1GT-SC20B are used to expanding existing Gigabit Ethernet networks. The easy implementation and expansion of

[Read More](#)



SFP Gigabit Transceivers Singlemode Single-Strand

Discover SFP Gigabit single-strand BiDi modules for 20Km with SC connector. Cisco compatible - buy now for efficient fiber links!

[Read More](#)

A Pair of 10G SFP+ Bidi Transceiver 10GBase-BIDI T1270/R1330

Premium Build & Reliability: Crafted with a premium copper housing and advanced chips, this 10 gigabit single mode fiber module delivers exceptional durability and interference resistance, ensuring long

[Read More](#)

Amazon : Optical Network Terminal

1.25G/s Gigabit Single Mode Fiber Optic Modem, SFP to RJ45 Fiber to Ethernet Media Converter, Auto-Negotiation Optical Network Terminal, Plug and Play, Durable Metal Casing Add to cart



[Read More](#)

TP-Link Omada Gigabit Single-Mode WDM Bi-Directional SFP Module

Supports WDM Bi-Directional technology, using a single strand of fiber, cost saving Pairing with TL-SM321A or MC111CS Compatible with T3700 series, T2700 series, T2600 series, T2500 series,

[Read More](#)

Gigabit single-mode fiber optic transceiver

Generally, optical transceivers are divided into single-mode and multi-mode, single-fiber and dual-fiber. The interface type is SC by default, and FC, LC, etc. can also be configured according

[Read More](#)



single mode sc fiber media converters , Newegg

StarTech Single Mode SC Fiber Ethernet Media Converter - 1000BASE-LX Gigabit Fiber Optic to Copper Bridge - 10/100/1000 Network 10km Device Type: Converter Standards: IEEE 802.3u

[Read More](#)

Amazon Best Sellers: Best Fiber Optic Transceivers

Discover the best Fiber Optic Transceivers in Best Sellers. Find the top 100 most popular items in Amazon Industrial & Scientific Best Sellers.

[Read More](#)

optical transceiver sfp+ 10g single mode module 1310nm 10km lc

Upgrade networks with our optical transceiver sfp+ 10g single mode module 1310nm 10km lc. This LC transceiver delivers effortless 10km connectivity for data centers and



servers.

[Read More](#)

fiber transceiver single mode , Newegg

IntellinetGigabitFiberWDMBi-DirectionalSFPOpticalTransceiverModule,1000Base-LX (LC) Single-Mode Port, 10 km (6.2 mi.), WDM (RX1310/TX1550) Device Type: Transceiver

[Read More](#)

Contact Us

For datasheets, pricing, or custom data center infrastructure solutions, please visit:
<https://www.zeldaterblanchephotography.co.za>