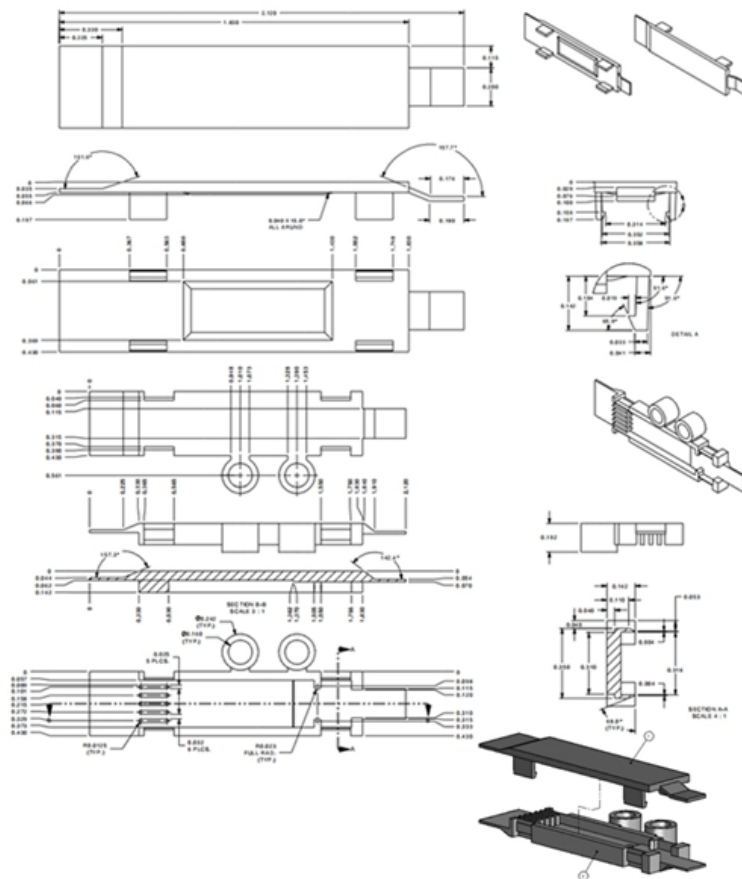


Cable tray plate thickness measurement





Cable tray plate thickness measurement

TECHNICAL AND SIZING DATA

The cable ampacity installed in solid tray will be similar to cable installed without spacing in accordance with CEC Rule 12-1210 (3). Solid tray will carry the same type of conductors as ventilated trays.

[Read More](#)

Technical Specification for Cable tray installation and cable laying work

- Installation of GI Cable tray of size 300 x 50 mm x 1.6 mm thickness and complete with high tensile bolt, washers and nuts. Eight hardware sets of M8 size shall be used to prepare single joint of two

[Read More](#)



Cable Tray Technical Specifications , PDF

The document provides a technical data sheet for cable trays including ladder and perforated types. It lists specifications for material, thickness, dimensions, loading

[Read More](#)

Unlocking the Secret: Exact Electrical Cable Tray Dimensions for

Discover essential electrical cable tray dimensions, including standard sizes, materials, and proper installation guidelines. Learn how to select the right cable tray for your project with this

[Read More](#)

CABLE TRAY SYSTEM

CABLE TRAY ICMS cable tray system including Fittings and accessories is manufactured



With return flange in a standard length of 2.44Mtr and 3 Mtr, according to the following Specifications and

[Read More](#)

Cable Tray Size Calculation for Project Engineers

Cable tray thickness should be selected based on the total cable load, tray width, support span, and material strength. Heavier cable runs require thicker

[Read More](#)

Cable Tray Installation Specifications , PDF , Sheet

This document provides installation guidelines for cable trays, including: 1) Cable trays come in perforated and ladder types, with perforated trays made of steel

[Read More](#)



LEGRAND CABLE TRAYS TECHNICAL GUIDE

In accordance with its continuous improvement policy, Legrand reserves the right to change the specifications and illustrations without notice. All illustrations, descriptions and technical information

[Read More](#)

Best Practice Guide to Cable Ladder and Cable Tray Systems

This guide covers cable ladder systems, cable tray systems, channel support systems and associated supports intended for the support and accommodation of cables and possibly other electrical

[Read More](#)

Cable Tray Technical Guide A practical guide to product selection and

In designing supports for a cable tray system, consideration should be given to the loads



associated with future cable additions and any additional loading that may be applied to the cable tray system (e.g.,

[Read More](#)

Cable Tray Guide: Picking the Best Thickness and Width Options

Cable trays are among the most reliable solutions for routing and supporting cables in industrial plants, commercial facilities, and residential projects. However, selecting the correct

[Read More](#)

Maximum and minimum thickness of cable tray?

According to the 2017 standard, the maximum thickness of corrugated groove steel cable tray plate is 0.8mm, the minimum thickness is 0.7mm, and the maximum thickness and minimum

[Read More](#)



IEC Standard for Cable Tray: Complete Technical Guide

IEC Standard for Cable Tray: Complete Technical Guide The International Electrotechnical Commission (IEC) provides detailed guidelines for

[Read More](#)

Microsoft Word

Quality Plan for Cable Trays & accessories Technical Data Sheet for Cable Trays & accessories GA drawings of Cable Trays & accessories BOQ of Coupler plates, Bolts, Washers & Nuts for lot wise

[Read More](#)

LEGRAND CABLE TRAYS TECHNICAL GUIDE

Not all cable trays are equivalent. The mechanical and electrical characteristics, tests,



certifications, overall quality management, recommendations mentioned in this technical guide only apply to our

[Read More](#)

Cable Tray System and Joints

Cable Ladder And Tray Accessories Splice Plates Splice Plates for Cable Tray up to 150 mm in width are 40 mm wide. For tray greater than 225 mm in width, and

[Read More](#)

Wire Mesh Cable Trays Technical Information Detailed,

Wire Mesh Cable Tray Detailed Information: a. A job site, field adaptable support system primarily for low voltage telecommunication and fiber optic cables. These

[Read More](#)



B-Line series Cable Tray Design Considerations

Snow load is measured by density and thickness, and it can be significant for a cable tray that is completely full of cables or a cable tray that has covers. The density of snow varies greatly due to its

[Read More](#)

Cable Tray Size Chart and Selection Guide

The gauge or thickness of the material used to fabricate cable trays significantly affects both structural performance and actual electrical cable tray dimensions.

[Read More](#)

CABLE TRAY SYSTEMS GUIDE

CableTraySystemsGuideHUBBELLHubbellWiringDevice-KellemsandHubbellPremise Wiring are divisions of Hubbell Incorporated, a U.S. headquartered manufacturer with over 130 years of



[Read More](#)

cable tray system

A cable tray system is an assembly of metallic cable tray sections and accessories, that forms a rigid structural system to support cables.

[Read More](#)

26 05 36 Cable Trays for Electrical Systems

Install cable tray as a complete system, including fasteners, hold-down clips, support systems, barrier strips, adjustable horizontal and vertical splice plates, elbows, reducers, tees, crosses, cable

[Read More](#)

What is the national standard thickness of cable tray and the



The thickness of the cable tray will affect the safe working load of the cable tray, the same support and hanger span the same specification of the cable tray, the thicker the plate thickness of the cable tray,

[Read More](#)

GUIDE CABLE TRAYS TECHNICAL

NEMA VE 1-2017 Specifies requirements for metal cable trays and associated fittings designed for use in accordance with the rules of Canadian Electrical Code, Part I and the National Electrical Code®

[Read More](#)

IEC Standard for Cable Tray: Complete Technical Guide

All trays must undergo salt spray tests and coating thickness tests to ensure the coatings meet the durability levels required under the IEC standard for

[Read More](#)



Contact Us

For datasheets, pricing, or custom data center infrastructure solutions, please visit:
<https://www.zeldaterblanchephotography.co.za>