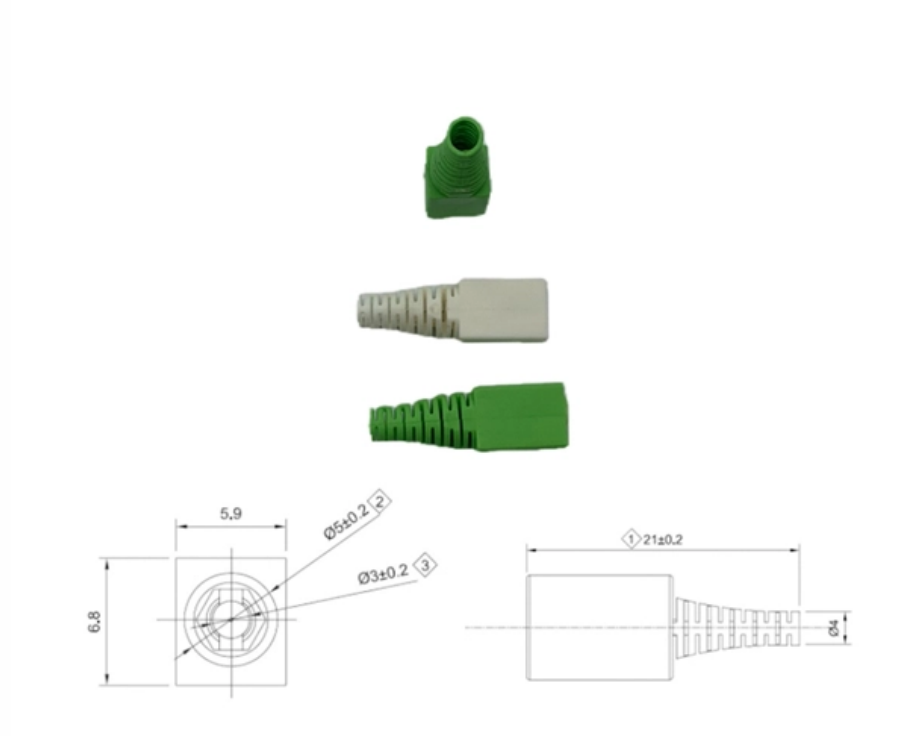


# Cable tray speed error





## Cable tray speed error

---

### **Common Cable Tray Failures and How to Resolve Them**

This guide discusses common cable tray problems, from loosening and corrosion to grounding issues and installation errors, along with strategies for

[Read More](#)

### **Cable Tray Spacing Standards for Installation and Safety**

Key Factors Impacting Cable Tray Spacing Understanding cable tray spacing is key to meeting safety regulations and maintaining system

[Read More](#)



## Mastering Light-Duty Cable Tray Installations: Troubleshooting

Explore expert tips on troubleshooting common challenges in light-duty cable tray installations. From proper planning to corrosion management, learn how to ensure a reliable and

[Read More](#)

### Cable trays NOT automatically connecting

The cable trays aren't connecting no matter what angle I try to connect them and I am presented with the following error message in the image

[Read More](#)

### Repeated tray cable error : r/HarvestRight

When I pulled the trays out they immediately made condensation from the air and that condensation froze on/in the slab. I took a small razor cut and put it under my

[Read More](#)



## **3KW Cable Tray Bending Machine PLC Cable Tray Manufacturing**

The cable tray cover machine represents a significant advancement in production technology, offering superior efficiency and precision for manufacturing high-quality cable tray covers.

[Read More](#)

## **Cable Tray Technical Guide A practical guide to product selection and**

Cable Tray Technical Guide A practical guide to product selection and installation This guide for engineers and installers has been developed by ABB as a practical reference regarding cable tray

[Read More](#)



## **Troubleshooting Medium Duty Cable Tray Installations: Overcoming**

Explore expert insights into resolving common challenges faced in medium-duty cable tray installations. From improper installation to environmental factors, learn effective troubleshooting

[Read More](#)

## **Are Ethernet Cables Slowing Your Connection?**

Are Ethernet Cables Slowing Your Connection? Find out if your Ethernet cables keep you from surfing at brain-melting speeds by Kevin Parrish

[Read More](#)

## **Mastering Cable Tray Efficiency: Troubleshooting Medium-Duty**

Explore the ultimate guide to troubleshooting common challenges with medium-duty



cable trays. From corrosion concerns to efficient cable management, discover proactive strategies for

[Read More](#)

## **Avoiding Mistakes in Cable Tray Installation**

Avoid common cable tray installation mistakes to ensure safe, compliant, and efficient electrical infrastructure.

[Read More](#)

## **Cable Trays Selection Guide: Types, Features,**

Cable trays are components of support systems for power and communications cables and wires. A cable tray system supports and protects both power and

[Read More](#)



## Standard Cable Tray

APPLICATION provide a rigid structural system for electrical cables, raceways, and insulated conductors used for electric power

[Read More](#)

## Can't create cable tray bends

I've set the Bend Radius to 300 mm but I just can't create any cable tray bending. How is it done? Error - cannot be ignored No auto-route solution was found.

[Read More](#)

## Common Issues in Steel Cable Tray Installations

Improper Support and Fixing: Insufficient or loose brackets, hangers or supports may allow trays to vibrate or shift, risking cable damage. Adhere strictly

[Read More](#)



## **Data Centre Cable Trays: High-Density Cabling Guide**

Learn about Data Centre Cable Trays for high-density cabling. Get a guide on design, materials, smart management, & future tech for data halls.

[Read More](#)

## **Cable Tray Raceway Fill and Load Calculations**

Resources For Electrical & Electronic Engineers Cable Tray Raceway Fill and Load Calculations Cable tray / raceway is integral part of any cable management

[Read More](#)

## **How to Solve Excessive Cable Tray Installation Spacing?**



Learn how to fix excessive cable tray installation spacing. Discover tips and solutions to improve safety, performance, and ease of maintenance for

[Read More](#)

## **Common Issues in Steel Cable Tray Installations**

Installation Mistakes Leading to Troubles in Cable Tray Systems Several common installation errors contribute to issues that may be costly and

[Read More](#)

## **GUIDE CABLE TRAYS TECHNICAL**

In accordance with its continuous improvement policy, Legrand reserves the right to change the specifications and illustrations without notice. All illustrations, descriptions and technical information

[Read More](#)



## **How to Fix Common Cable Management Issues using**

This comprehensive guide investigates the most frequent wire management challenges faced in real-world setups and demonstrates how the

[Read More](#)

## **Cable Tray Installation Errors And Solutions**

Learn how to identify, resolve, and prevent cable tray installation errors. This guide provides actionable tips and insights to ensure efficient

[Read More](#)

## **Cable Tray Faults and Solutions**

Here we introduce various types of faults that may occur in cable trays and their solutions in details, hoping we can help you in some way.



## **Cable trays NOT automatically connecting**

The error says it all: you need to load fitting families and assign them to the system. To get them quickly: Create a new project using System-Default

[Read More](#)

## **ZTRFM Size Adjustment Automatically Perforated Cable Tray**

Name:cabletrayproductionline;Productname:perforatedcabletray;Rollematerial:Cr12 heat treatment;Usage:Electrical cable support systems;Suitable material:Q235 Galvanized Steel

[Read More](#)

## **GUIDE CABLE TRAYS TECHNICAL**



NEMA VE 1-2017 Specifies requirements for metal cable trays and associated fittings designed for use in accordance with the rules of Canadian Electrical Code, Part I and the National Electrical Code®

[Read More](#)

## **100+ Essential Questions Answered About Cable Trays:**

Discover over 100 expert answers about cable trays, covering key topics like material selection, load capacity, installation methods, and maintenance.

[Read More](#)

## **Cable Management Systems**

Snake Tray offers innovative cable management systems that are easy to install and affordable, for industries including data centers, transit, solar installations and more.

[Read More](#)



## Understanding Cable Tray Safety Hazards: A Detailed

Learn about common cable tray safety hazards and how to prevent risks such as cable damage, electrical short circuits, moisture intrusion, and more.

[Read More](#)

### Contact Us

---

For datasheets, pricing, or custom data center infrastructure solutions, please visit:  
<https://www.zeldaterblanchephotography.co.za>