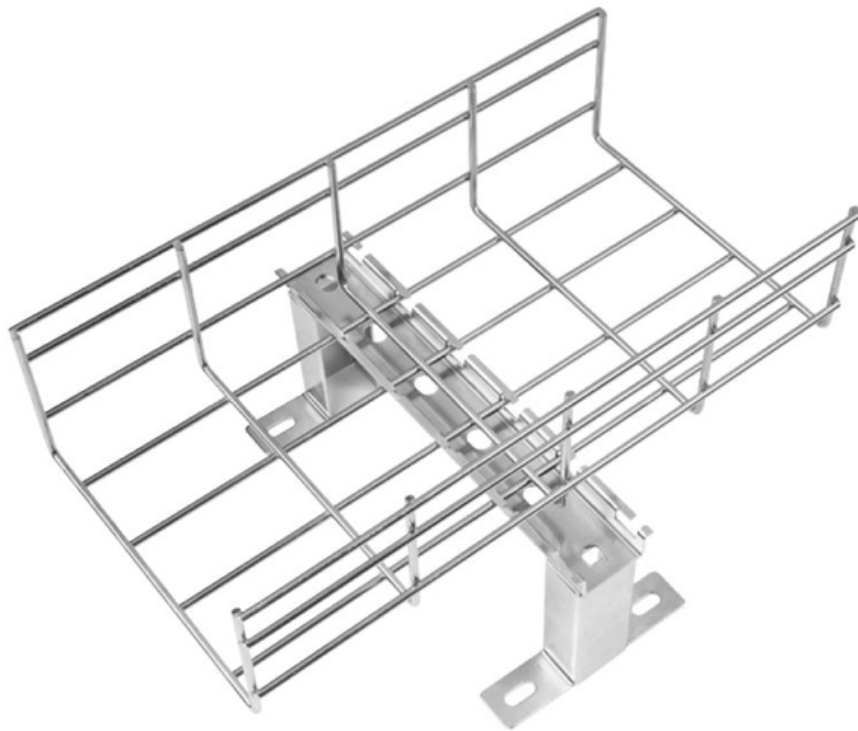




ZTP Thermal & Power

Dominican Republic Well Temperature Measurement Fiber Optic Cable Connector Manufacturer





Dominican Republic Well Temperature Measurement Fiber Optic Cal

Downhole Fiber Optic Distributed Temperature Sensing

Fiber optic DTS systems enhance well production characteristics analysis by integrating with other parameter measurements, such as pressure and flow rates.

[Read More](#)

FJINNO vs. OSENSA: A Comparative Analysis of Fiber Optic Temperature

OSENSA OSENSA Innovations is a provider of fiber optic sensing solutions, primarily focusing on Distributed Temperature Sensing (DTS) technology using Raman scattering. OSENSA's

[Read More](#)



DCG , Dominican Cable Group

Multi-Service Fiber Optic Network with the highest levels of resilience and reliability in the caribbean region. Most widespread coverage, reaching the most remote and isolated places in our geography.

[Read More](#)

Fiber optic temperature sensor, Fiber optic temperature

Find your fiber optic temperature sensor easily amongst the 19 products from the leading brands (SAB, TEXYS, Hellma,) on DirectIndustry, the industry

[Read More](#)

DTSX200 Distributed Temperature Sensor

What Is Distributed Temperature Sensing? Distributed temperature sensing (DTS) measures temperature distribution over the length of an optical fiber cable using



Fiber Optic Temperature Sensing and Measurement , Luna

High-definition temperature sensing based on the natural Rayleigh backscatter in optical fiber delivers a virtually continuous line of temperature measurements with

[Read More](#)

DISTRIBUTED FIBER OPTIC SENSING

BOTDR operates with a large optical budget on a single-ended fiber, being less affected by changes in fiber attenuation. BOTDR enables extensive and accurate measurements of both temperature and

[Read More](#)

Fiber Optic Temperature Measurement and Control System



Watlow's Fiber Optic Temperature Measurement and Control System Offers Improved Accuracy, Precision and Reliability in High RF Environments By combining advances in fluorescent

[Read More](#)

Well and reservoir surveillance , FOWell , FEBUS Optics

Our FOWell solution is a Measurement, Monitoring, and Verification (MMV) technology based on distributed fiber optic sensing, that ensures real-time and

[Read More](#)

Fibre network for Dominican Republic?

The Dominican Republic is gearing up to develop a national fibre optic network, according to the Caribbean country's telecoms regulator Indotel. The development is aimed at improving internet

[Read More](#)



NovaPTTM-D Sapphire Fiber Optic Pressure and Temperature

NovaPTTM-D is a patented and field-proven fiber optic pressure and temperature sensor system for permanent downhole installation. The sensor is built with a monolithic single-crystal sapphire

[Read More](#)

Fiber Optic Cable Exports from Dominican Republic

Analyze 132 Fiber Optic Cable export shipments from Dominican Republic till Jan-25. Export data includes Buyers, Suppliers, Pricing, Qty & Contact Phone/Email.

[Read More](#)

Temperature Measurement Using Optical Fiber Methods: Overview



The paper deals with the overview of fiber optic methods suitable for temperature measurement and monitoring. The aim is to evaluate the current research of temperature measurements in the interval

[Read More](#)

Fiber-Optic Distributed Temperature Sensing

In this photo, a USGS intern is deploying fiber-optic cable along the bed of a trout stream to measure temperature in June 2016. This fiber-optic distributed

[Read More](#)

Fiber Optic Test Equipment , Anixter Dominican Republic

OLS-34 LED source 850/1300 nm MM 50/125 universal adapter. The OLS-3x series is the new generation of small and rugged optical light sources for quick, easy and convenient field insertion

[Read More](#)



PORTFOLIO BROCHURE FOTEMP

Fiber optic devices Our fiber optic temperature measurement devices type FOTEMP are designed to perform well in environments with microwave radiation and high-frequency interferences. They are

[Read More](#)

Optical fibres and cables in Dominican Republic

About Exports In 2024, Dominican Republic exported \$31.9k of Optical fibres and cables, making it the 115th largest exporter of Optical fibres and cables (out of 167) in the world. During the same year,

[Read More](#)

OSENSA Innovations , Fiber Optic Temperature



Leading developer of fiber optic temperature sensing and partial discharge monitoring solutions for switchgear, data centers, energy, and life sciences,

[Read More](#)

Fiber optic pressure and temperature sensor for observation well and

Robust fiber optic temperature sensor packaged for the most demanding environment. Permanent exposure to temperature up to 250 Celsius will not impact the performances of the sensor.

[Read More](#)

TECCA DE Fiber optic temperature measurement systems

Technical data Fiber optic sensors Service & Calibration Re-calibration is typically not necessary throughout the entire lifespan of the fiber optic temperature measurement system. However, if

[Read More](#)



COMEM Group

Temperature control is crucial in many industrial processes. Our FOTEMP fiber optic temperature monitoring devices deliver reliable performance even in

[Read More](#)

Fiber Optic Sensor , Temperature, Pressure

We custom design a downhole fiber optic connectors suitable for use in the extreme temperature and pressure environments of a the oil & gas industries.

[Read More](#)

HFCL

HFCL is recognized as one of the largest manufacturers and suppliers of fiber optic cable across the globe, providing high-quality products and reliable services.



Fiber Optic Downhole Monitoring System Survives High

After an assessment of the project requirements, Weatherford experts proposed an in-country, fiber optic monitoring system with a proven record of reliability and

[Read More](#)

Distributed Temperature Sensing Fiber Optic Cable (DTS)

Temperature sensing fiber optic cable allows very accurate temperature measurements to be taken at locations where physical access is proved to be

[Read More](#)

DTS Fiber optic distributed temperature



Fiberoptic distributed temperature (DTS) Temperature profiling provides well operators with critical information related to the real conditions in the reservoirs.

[Read More](#)

Distributed Pressure and Temperature Sensing

Our DPTS technology is a novel, low-cost solution for permanent, downhole pressure and temperature measurements for the Oil & Gas industry.

[Read More](#)

Fiber Optics , Amphenol Fiber Optic Products , United

All manufacturing facilities are both EICC, RoHS2, and REACH compliant. Amphenol Fiber Optic Products has full R& D support in both the US and China, with a full

[Read More](#)



Suppliers of Fiber Optics from Dominican Republic , Exporters of Fiber

Fiber Optics from Dominican Republic - Free to use unique search engine of reliable, genuine and verified companies, suppliers, exporters, sellers, manufacturers, factories, traders, trade leads of

[Read More](#)

Contact Us

For datasheets, pricing, or custom data center infrastructure solutions, please visit:
<https://www.zeldaterblanchephotography.co.za>