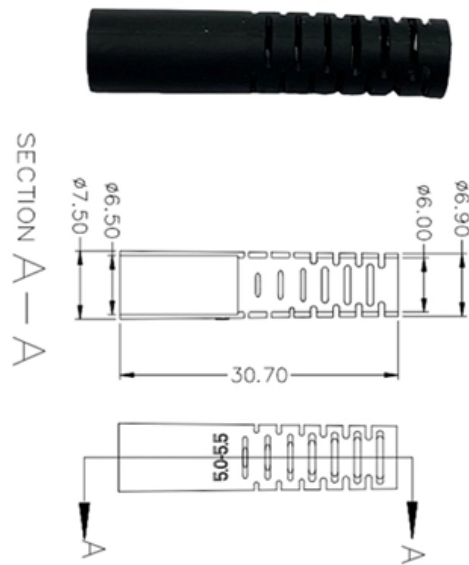




Fiber Optic Communication MATLAB Simulation Experiment Report





Fiber Optic Communication MATLAB Simulation Experiment Report

Scilab open-source software for fiber optic

Scilab toolbox for fiber optic communication systems simulation was developed, named SSS. The features of SSS simulator are presented by

[Read More](#)

Modern Fiber Optic Communication Systems Simulations with

OCSim matlab modules are one of the most popular products for the design and simulation of modern fiber optic communication systems. OCSim modules have been proven to provide accurate

[Read More](#)



LAB Manual for OCN: Optical Fiber Experiments and Analysis

This document outlines a series of experiments conducted to analyze various aspects of optical fiber communication, including numerical aperture, dispersion, attenuation loss, and modulation

[Read More](#)

Optical Communication MATLAB Projects

Explore MATLAB project ideas and implementations focused on optical communication systems. Find simulation examples, code snippets, and guidance for fiber optics, modulation, and photonics projects.

[Read More](#)

Optical Fiber Communication Systems with MATLAB and

Optical Fiber Communication Systems with MATLAB and Simulink Models is intended for use in university and professional training courses in the specialized field of optical communications.



AkshayShinde1205/Design-of-Optical-Fiber

Design-of-Optical-Fiber-Communication-Experiments-using-Simulation-Software The proposed goal of this project is to design studies and analyze the simulation

[Read More](#)

Optical Fiber Communication Systems with MATLAB® and Simulink®

Carefully structured to instill practical knowledge of fundamental issues, Optical Fiber Communication Systems with MATLAB® and Simulink® Models describes the modeling of optically

[Read More](#)



MATLAB Simulation of Optical Fibre Effects , PDF

This document summarizes a study that simulated fiber optic transmission using MATLAB. It discusses how the simulation program models both linear and

[Read More](#)

Optical Fiber Communication Systems with MATLAB

Carefully structured to instill practical knowledge of fundamental issues, Optical Fiber Communication Systems with MATLAB and Simulink Models describes the

[Read More](#)

Optical Fiber Communications Systems: Theory and Practice with

Carefully structured to provide practical knowledge on fundamental issues, Optical Fiber Communications Systems: Theory and Practice with MATLAB and Simulink Models explores

[Read More](#)



OptiSystem in Optical Fiber Communication

The document describes an experiment using OptiSystem software to simulate an optical fiber communication system. It discusses the basic components of the

[Read More](#)

Mugisha2001/Optical-Communication-System

The project aims to highlight the importance of FEC and dispersion compensation in modern communication systems. Objectives Simulate optical signal transmission over a fiber channel.

[Read More](#)

Certik



The paper presents a design and simulation of the optical path which include linear and nonlinear effects using the MATLAB simulation tools. The program includes a calculation part of nonlinear effects and

[Read More](#)

Optical Fiber Communication Matlab Simulink Projects

In contrast to copper wire, optical fibers are much better in terms of RF, durability, and so on. Designing fiber optical communication projects is a tough task for

[Read More](#)

Optical Fiber Communication Matlab Simulink Projects

What is Optical fiber? What are the Applications of fiber optical communication projects? How to design a model to implement optical fiber with Simulink?

[Read More](#)



Design And Simulation Of Optical Fiber Link Using Matlab

In this project, it is proposed to design and simulate Optical fiber link an from transmitter to receiver. With different combinations of sources, fibers and detectors, results are to be compared using Power

[Read More](#)

Optical Fiber Transmission Simulation in MATLAB , WiredWhite

This article presents a comprehensive MATLAB simulation of a 40 Gbps coherent optical fiber communication system using QPSK modulation over 100 km of standard single-mode fiber.

[Read More](#)

LABORATORY MANUAL COMMUNICATION SYSTEMS LAB (S7 T) OPTICAL



The most significant features of LEDs, which are used for optical communication, include high modulation rate capability, high radiance, high reliability and emission wavelengths restricted to the

[Read More](#)

Certik

The presented simulation model comes out from the simulation model for optical communications introduced in . Modeling was performed in MATLAB Simulink 2010 and GUI.

[Read More](#)

EE 420

PREFACE This manual contains ten laboratory experiments to be performed by students taking the optical fiber communication course (EE 420). The various experiments included in this manual are

[Read More](#)



Optical Fiber Communication Systems with MATLAB and

Emphasizes DSP-based coherent reception techniques essential to advancement in short and long-term optical transmission networks Optical Fiber Communication Systems with MATLAB and Simulink

[Read More](#)

Steps to Simulate Optical Communication Projects in MATLAB

To simulate Optical Communication projects in MATLAB have includes designing the transmission of data via optical fibers, free-space optics, or additional optical media.

[Read More](#)

Simulation and Animation in Optical Fiber Communication

Computer simulation can enable a student to jump over the hurdle that an abstract



physical concept presents. High levels of abstraction are especially prevalent in electromagnetic field theory and

[Read More](#)

Steps to Simulate Fiber Optic Topology Projects in MATLAB

In this simulation, we concentrate on how to replicate and examine the Fiber Optic Topology projects using simulation methods in MATLAB tool.

[Read More](#)

Optical Fiber Communication System Simulation Using Matlab (PDF)

Simulation and Animation in Optical Fiber Communication fundamental in fiber optic communication theory. We use animation and simulation in MATLAB to help students grasp some of the more

[Read More](#)



Optical Fiber Communication Systems with MATLAB® and Simulink®

Carefully structured to instill practical knowledge of fundamental issues, Optical Fiber Communication Systems with MATLAB and Simulink Models describes the modeling of optically

[Read More](#)

Simulation of Fibre Optics using MATLAB Fibre Optics Simulation

Abstract - The paper introduces a plan and re-enactment of the optical way which incorporate straight and nonlinear impacts utilizing the MATLAB recreation apparatuses.

[Read More](#)

Optical Fiber Communications Systems: Theory and Practice with MATLAB



Carefully structured to provide practical knowledge on fundamental issues, Optical Fiber Communications Systems: Theory and Practice with MATLAB and Simulink Models explores

[Read More](#)

Contact Us

For datasheets, pricing, or custom data center infrastructure solutions, please visit:
<https://www.zeldaterblanchephotography.co.za>