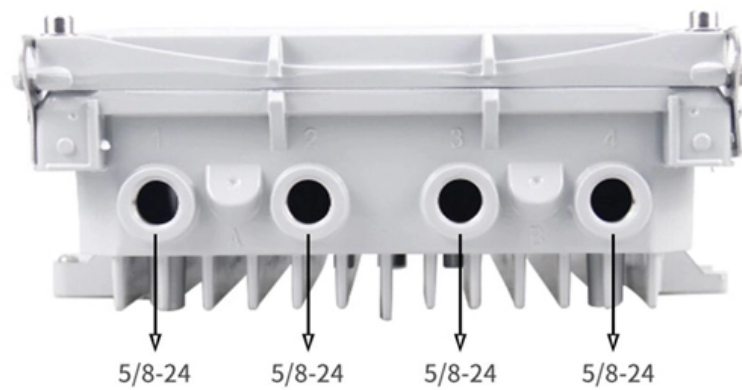


# H optical module





## Overview

---

An optical module is a typically hot-pluggable optical transceiver used in high-bandwidth data communications applications. The form factor and electrical interface are often specified by an interested group using a (MSA). The built-in PMT uses a metal package with the same diameter as a TO-8 metal package used for semiconductor photodetectors. Huawei offers a comprehensive portfolio of pluggable StarryLink optical modules for data center networks, with various models providing flexible plug-and-play solutions tailored to diverse interface requirements.



## H optical module

---

### **1,000+Nanya Active Optical Module 25g Jobs in United States**

Today's top 1,000+ Nanya Active Optical Module 25g jobs in United States. Leverage your professional network, and get hired. New Nanya Active Optical Module 25g jobs added daily.

[Read More](#)

### **Global AI Optical Transceiver Market to Reach US\$26 Billion in 2026**

TrendForce's latest research indicates that the global market for AI-focused optical transceivers has entered a phase of rapid growth, with market size projected to expand from

[Read More](#)



## Optical module

Overview Electrical Interface Types Optical modulation and multiplexing types In-module components Electrical cable equivalent Front panel optical module MSAs On-Board Optical module MSAs Users of Optical Modules

An optical module is a typically hot-pluggable optical transceiver used in high-bandwidth data communications applications. Optical modules typically have an electrical interface on the side that connects to the inside of the system and an optical interface on the side that connects to the outside world through a fiber optic cable. The form factor and electrical interface are often specified by an interested group using a multi-source agreement (MSA). Optical modules can either plug into a front pa

[Read More](#)

## Holybro H-Flow (Optical Flow and Distance Sensor)

The Holybro H-Flow is a compact optical flow and distance sensor module that combines a PixArt PAA3905E1 optical flow sensor, a Broadcom AFBR

[Read More](#)



## Technical note / Optics modules

1. Overview The optics module is comprised of Si photodiodes, optical components, and current-to-voltage conversion circuit. Our lineup includes filter type spectroscopic modules (C13398 series)

[Read More](#)

## What Is an Optical Module and Its FAQs (V300)

As an important part of fiber-optic communication, an optical module is a photoelectric converter which converts electrical signals into optical signals and vice versa. An optical module

[Read More](#)

## Optical Interconnect Technology Analysis: LPO, NPO, CPO

Exploring optical interconnects for AI data centers: LPO for low-power, short-distance links, NPO for high-density, near-package connections,



## **Tower Semiconductor, NVIDIA advance 1.6T AI optics**

New 1.6T optical modules on Tower's silicon photonics platform enable up to 2x data rates for NVIDIA-based AI infrastructure, boosting data center

[Read More](#)

## **Understanding Optical Modules: Working Principles,**

As an essential component of optical fiber communication, optical modules are optoelectronic devices that facilitate the conversion between optical and electrical

[Read More](#)

## **Optical module design resources , TI**



View the TI Optical module block diagram, product recommendations, reference designs and start designing.

[Read More](#)

## Active Optical Module Market 2025

Active Optical Module Market was valued at 5916 million in 2024 and is projected to reach US\$ 15140 million by 2032, at a CAGR of 14.7%

[Read More](#)

## GlobalFoundries Accelerates Adoption of Co-Packaged Optics for

GlobalFoundries (Nasdaq: GFS) (GF) today announced the introduction of its SCALE(TM) optical module solution for co-packaged optics (CPO). GF's SCALE solution, or Silicon photonics Co-packaged

[Read More](#)



## **10 companies in the optical transceiver industry chain 2024**

The rapid development of AIGC has promoted the demand for 800G optical modules, and the entire industrial chain involving optical components,

[Read More](#)

## **Over 20 Million 400G & 800G Datacom Optical Module**

BOSTON (January 7, 2025) - Total shipments of leading-edge datacom optical modules are projected to tally over \$9 billion for 2024, according to the latest

[Read More](#)

## **Holybro**

The Holybro H-Flow is a compact optical flow and distance sensor module that combines



a PixArt PAA3905E1 optical flow sensor, a Broadcom AFBR-S50LV85D distance sensor, and an InvenSense

[Read More](#)

## **Optical Modules in General-Purpose Computing Scenarios**

Huawei offers a comprehensive portfolio of pluggable StarryLink optical modules for data center networks, with various models providing flexible plug-and-play solutions tailored to diverse interface

[Read More](#)

## **Cisco 400G QSFP-DD High-Power (Bright) Optical**

Learn how Cisco 400G QSFP-DD High-Power (Bright) Optical module's small size and low power make it an optimal choice for a wide range of

[Read More](#)



## **1,000+ Uruguay Active Optical Module Lpo Jobs in United States**

Today's top 1,000+ Uruguay Active Optical Module Lpo jobs in United States. Leverage your professional network, and get hired. New Uruguay Active Optical Module Lpo jobs

[Read More](#)

## **Global LPO Optical Transceiver Module Market 2025**

LPO Optical Transceiver Module Market Analysis: The Global LPO Optical Transceiver Module Market size was estimated at USD 153 million in 2023 and is

[Read More](#)

## **Optical Module Requirements for A100 and H100 GPUs**

Delve into the analysis of GPU-to-optical module ratios in HPC networks. Explore



demands across NVIDIA's A100 and H100 GPUs, ConnectX

[Read More](#)

## **AI data centers hit interconnect limits, boosting optical module demand**

The surge in optical module stocks reflects a deeper shift in AI infrastructure: the bottleneck is no longer computing power alone, but how that power is connected.

[Read More](#)

## **Optical Module Market Analysis and Forecast in 2026**

AI computing power has driven explosive growth in the optical module market, with 800G and 1.6T technologies leading the industry transformation.

[Read More](#)



## **Wholesale Optical Transceivers Module , 100G**

Shop high-speed optical transceivers from Unitekfiber. We offer 100% compatible 40G, 100G, and 400G QSFP-DD modules for data centers. Expert technical

[Read More](#)

## **Photomultiplier tube module H10721-01 , Hamamatsu Photonics**

The H10720 and H10721 series are photomultiplier tube modules containing a metal package PMT and a high-voltage power supply circuit. The built-in PMT uses a metal package with

[Read More](#)

## **What Is an Optical Module and Its FAQs (V200)**

Describes what an optical module is and FAQs, including the fundamentals, appearance and structure, key performance counters, common types, and naming conventions of



optical modules, causes of

[Read More](#)

## **400G Optical Modules Explained: SR4 Vs. DR4 Vs. FR4**

Key differences between SR4, DR4, FR4, and LR4 400G optical modules. Expert advice from Asterfusion engineers to optimize your data center

[Read More](#)

## **Europe 5G Optical Module Market Forecast 2026-2033: Expected**

The Europe 5G Optical Module market is driving economic growth by enhancing communication infrastructure, improving internet speeds, and enabling advancements in various

[Read More](#)



## Huawei Optical Module Common Models

Optical modules are important devices in fiber optic communication systems. Huawei Optical Module is manufactured by Huawei Technologies Co. and originated in Shenzhen.

[Read More](#)

## 10G Single-Mode Optical Module

SFP+ transceiver that supports 10G connections up to 10 km using single-mode fiber with a duplex LC UPC connector.

[Read More](#)

## Contact Us

---

For datasheets, pricing, or custom data center infrastructure solutions, please visit:  
<https://www.zeldaterblanchephotography.co.za>