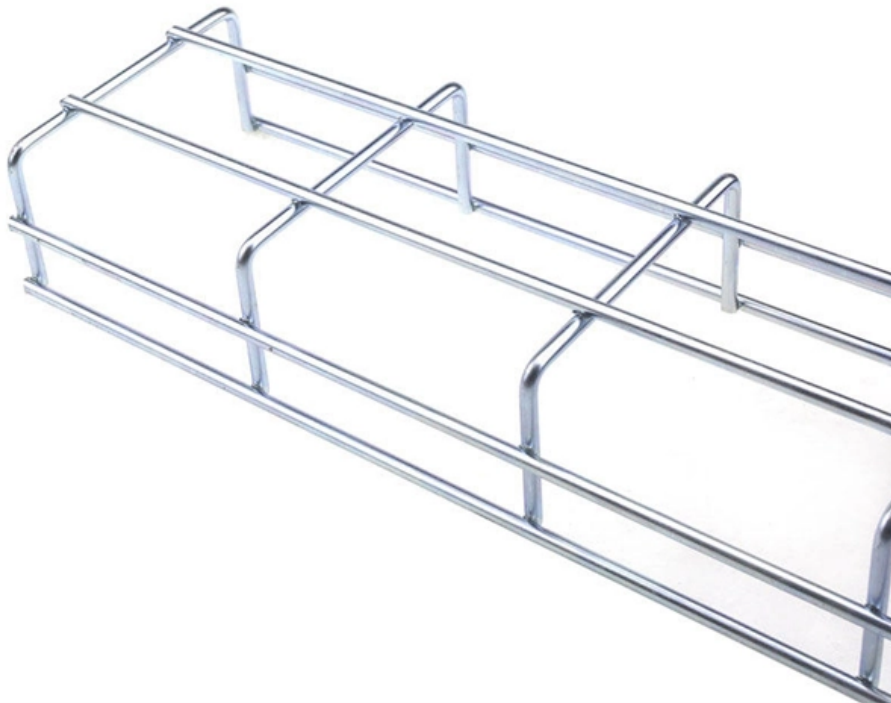




ZTP Thermal & Power

Intelligent Customization Process for External Distribution Boxes for Mining Users





Intelligent Customization Process for External Distribution Boxes fo

Multi-Objective Edge Node Deployment Method Based

As the number of intelligent devices in mining environments increases, the transmission time for large datasets, including equipment status

[Read More](#)

1. An Ultimate Guide for Metal Distribution Boxes

1) Metal Distribution Boxes Constructed from steel, aluminum, or cast iron, metal distribution boxes are highly durable and resistant to mechanical damage. Ideal

[Read More](#)



(PDF) Research on process improvement and optimization design of a

In order to reduce the cost of electric control box and improve its beauty and universality, the design structure of a mine explosion-proof electric control box is improved in view of the

[Read More](#)

Distribution Box Manufacturing Process , Custom

Learn the step-by-step distribution box manufacturing process--from design and material selection to assembly and testing. E-abel provides high-quality electrical

[Read More](#)

How can distribution boxes, through intelligence and customization

Different industries have significantly different requirements for the function, size, protection level (IP40 to IP65), installation method (wall-mounted, floor-standing,



recessed), and appearance of distribution

[Read More](#)

Explosion Proof Equipment

Provides solution to your mining plan or emergency situations by locating electrical equipment in areas where permissible equipment is required with Becker/SMC's

[Read More](#)

The mining value chain: A hidden gem , McKinsey

To date, the mine-to-market value chain has often been handled within organizational silos, which have limited coordination and real-time data

[Read More](#)



Power Distribution Equipment from Becker Mining

Becker's power distribution equipment is reliable and efficient and is used in mines all over the world. You can find our equipment in Europe, South Africa, and America, and we can create

[Read More](#)

Research on Structure and Heat Dissipation Design of Explosion

Practice has proved that the box with new design has good dispersibility and long service life of electrical parts, which fully meets the charging requirements of vehicles. It is hoped that in the

[Read More](#)

Premium Quality mining electrical boxes for Reliable Electrical Solutions

Enhance protection and durability with versatile mining electrical boxes designed for



various electronic applications. Ideal for safeguarding sensitive components.

[Read More](#)

What Are Mobile Container Mining Solutions for Modern Data Centers?

What's Mobile Container Mining and How's It Run? Mobile container mining means putting crypto mining work inside

[Read More](#)

High Voltage Distribution Box for Industrial and Mining

This powerhouse is adept at high voltage reception, transformation, and low voltage distribution, flawlessly managing and controlling electrical energy. With a

[Read More](#)



Bitcoin Mining Containers in 2025: The Ultimate Guide to Efficiency

Why Are Bitcoin Mining Containers Gaining Popularity in 2025? In 2025, the need for effective, portable, and budget-friendly bitcoin mining setup is rising due to a mix of tech, economic,

[Read More](#)

Cable Distribution Box Layout: 10 Industrial Strategies

Optimize your cable distribution box layout for safety and efficiency. Learn industrial best practices using Chuanli's IEC-standard outdoor and custom boxes.

[Read More](#)

Integrated Design and Configuration for Mining

Download our executive brief to learn how our Integrated Design and Configuration solutions portfolio accelerates mining equipment design processes.



[Read More](#)

Custom explosion-proof distribution box for mines

Custom Explosion-Proof Distribution Boxes for Mines Mulan Group delivers rugged, ATEX-certified electrical enclosures custom -built for mining operations. OEM/ODM support from

[Read More](#)

Industrial Distribution Box: Safety, Efficiency, and Customization in

Discover the benefits of the industrial distribution box for secure and efficient power distribution in industrial settings. Learn about its advanced features and applications.

[Read More](#)



JOURNAL OF LA Intelligent Cross-Organizational Process Mining: A

Abstract--Process mining, as a high-level field in data mining, plays a crucial role in enhancing operational efficiency and decision-making across organizations. In this survey paper, we

[Read More](#)

Custom Power Distribution Box for Mining & Heavy Industry Projects

Let's dive into why custom power distribution boxes are non-negotiable for these projects--and how Coloria is redefining reliability in the most demanding settings.

[Read More](#)

Customization Of A Complete Distribution Box

Learn the step-by-step process of customizing complete distribution boxes tailored to your needs. These Distribution Cabinets are to be outdoor type and to be fabricated out of



2 mm GI sheet steel.

[Read More](#)

Cirlock Group Lock Boxes

Cirlock Group Lock Boxes In the world of site safety, where every precaution counts, our range of group lock boxes stands tall as a beacon of protection. Designed to streamline lockout procedures while

[Read More](#)

High Voltage Distribution Box for Industrial and Mining

The Outdoor Prefabricated Substation YBM is a remarkably integrated power solution, combining high-voltage switchgear, transformers, and low-voltage

[Read More](#)



Enclosures and Boxes for Mining - Delvalle Box

Delvalle offers the best electrical enclosures and boxes for the mining industry through our series of large capacity stainless steel enclosures Tribeca Series and as well as stainless steel boxes Geo

[Read More](#)

Customization of a complete distribution box

Learn the step-by-step process of customizing complete distribution boxes tailored to your needs. From requirement confirmation to design,

[Read More](#)

Custom Power Distribution Box for Mining & Heavy Industry Projects

Custom Power Distribution Box for Mining & Heavy Industry Projects Release time : December 26 2025 Mining and heavy industry projects are the backbone of global



infrastructure,

[Read More](#)

Contact Us

For datasheets, pricing, or custom data center infrastructure solutions, please visit:
<https://www.zeldaterblanchephotography.co.za>