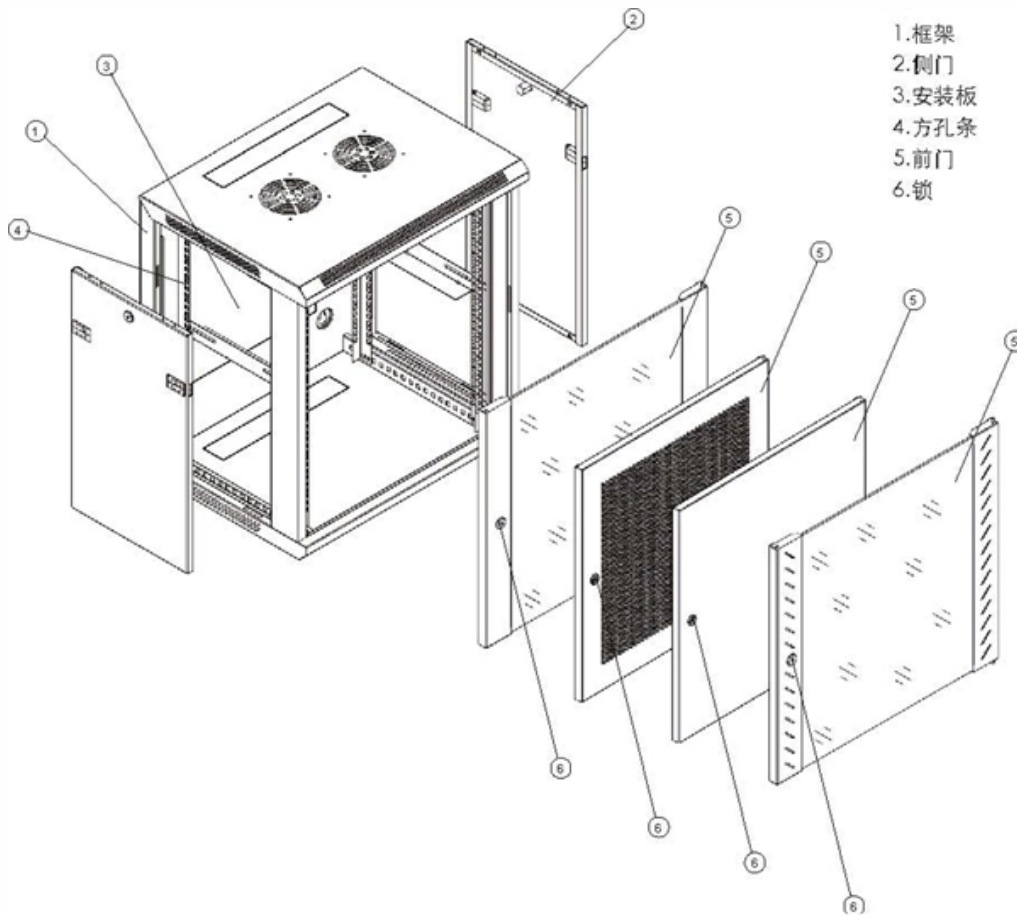


# Laos Wholesale Price Enterprise-Grade Optical Router DML





## **Laos Wholesale Price Enterprise-Grade Optical Router DML**

---

### **Introduction to DML and EML Modulation for Optical**

Optical Module Background and Basic Principle In the introduction of product parameters of optical modules, we often mention the modulation mode as

[Read More](#)

### **Laos Enterprise Network Communications Equipment Market (2025**

Forecast of Laos Enterprise Network Communications Equipment Market, 2031 Historical Data and Forecast of Laos Enterprise Network Communications Equipment Revenues & Volume for the Period

[Read More](#)



## **Laos Optical Communication and Networking Equipment Market**

6Wresearch actively monitors the Laos Optical Communication and Networking Equipment Market and publishes its comprehensive annual report, highlighting emerging trends, growth drivers, revenue

[Read More](#)

## **Internet Access in Laos 2026: Staying Connected on the**

Fiber optic internet in select urban areas 2. Unitel Unitel is a joint venture between Viettel Group and Lao Asia Telecom. Since its launch in 2009, it

[Read More](#)

## **Optical Fibers and optical fibre bundles in Laos Trade , The**

Imports In 2024, Laos imported \$339k of Optical Fibers and optical fibre bundles, becoming the 162nd largest importer of Optical Fibers and optical fibre bundles (out of



215) in the world. During the same

[Read More](#)

## **How To Choose The Right Internet Service For Home In Laos**

Planet 4G mobile broadband packages range from 200,000 Kip for 10GB to 800,000 Kip for 100GB with a validity period of 30 days. Fiber To Home Currently, the most popular choice of

[Read More](#)

## **10G SFP+ LR DML 1310nm 10km Optical Transceiver Module**

This series uses a pair of single-mode optical fibers with a center wavelength of 1310nm, a distance of up to 10km, and an optional industrial-grade operating temperature range.

[Read More](#)



## **10GHz Directly Modulated Laser Module, 1550 or**

The directly-modulated laser (DML) is a cost-effective solution for 10Gbps digital transmission of up to 60 km using traditional intra-city SMF-28 single-mode fiber

[Read More](#)

## **25G SFP28 LR DML 1310nm 10km Optical Transceiver (Industrial Grade)**

Description The SFP28 LR transceiver is a single-channel, pluggable fiber SFP28 optical module for 25 Gigabit Ethernet and Infiniband EDR. The optical interface of SFP28 LR adopts a duplex LC optical

[Read More](#)

## **Premium Fiber Optic Solutions , Leading Manufacturer**

Partner with China's trusted fiber optic manufacturer offering customized connectivity solutions, wholesale pricing, and OEM capabilities for data centers and telecom



[Read More](#)

## **Microsoft Word**

The criteria for classifying enterprises into different categories are usually number of employees, value of assets and sales. For Lao PDR, the Ministry of Industry and Handicraft (MIH) together with GTZ

[Read More](#)

## **Wholesale Routers**

Wholesale Top-Quality Routers Online at Competitive Prices from Leading Global Wholesalers on WIDQ . Discover Cheap Routers with OEM, Dropshipping, Bulk Order & Custom Procurement

[Read More](#)



## **25G SFP28 LR DML 1310nm 10km Optical Transceiver (Industrial Grade)**

Data Center Base Station Network Storage Device Fiber Media Converter Fiber To Ethernet Converter 25G SFP28 LR DML 1310nm 10km Optical Transceiver (Industrial Grade Ubiquiti Router It is usually

[Read More](#)

## **Best Wholesale Optical Router Quotes, Pricelist**

As a trusted exporter, Ant O&M (Beijing) Technology Service Co., Ltd. offers competitive prices on Optical Routers. Check our latest discount pricelist today!

[Read More](#)

## **Lao National Internet Center (LANIC)**

National Transmission and Crosse Broder Connection Points Fiber Optic connecting all provinces and all districts

[Read More](#)



## **Industrial Grade 10g SFP+ Lr Dml 1310nm 10km Fiber**

This series uses a pair of single-mode optical fibers with a center wavelength of 1310nm, a distance of up to 10km. Full-duplex transceiver module in SFP+ hot

[Read More](#)

## **Laos**

Laos is one of the world's five remaining communist countries. The Lao economic model bears some resemblance to its Chinese and Vietnamese counterparts, in that it has implemented a

[Read More](#)

## **Laos Optical Network Hardware Market (2025-2031) , Outlook**



6Wresearch actively monitors the Laos Optical Network Hardware Market and publishes its comprehensive annual report, highlighting emerging trends, growth drivers, revenue analysis, and

[Read More](#)

## **B2B Marketplace Laos by SJN / Manufacturers, Suppliers & Products**

With the new D11S and D16S frame sizes, the compressor specialist further extends its portfolio of direct-driven screw blowers, creating additional flexibility for economical and energy-efficient process

[Read More](#)

## **Laos Wholesale Market (2025-2031) , Analysis & Companies**

6Wresearch actively monitors the Laos Wholesale Market and publishes its comprehensive annual report, highlighting emerging trends, growth drivers, revenue analysis, and forecast outlook.



## **Enterprise Network Infrastructure**

Laos: Revenue in the Enterprise Network Infrastructure market in Laos is forecasted to hit US\$\*\*\*\*m by \*\*\*\*. Definition: The Enterprise Network Infrastructure market focuses on hardware resources

[Read More](#)

## **Industrial Grade 10g SFP+ Lr Dml 1310nm 10km Fiber**

Industrial Grade 10g SFP+ Lr Dml 1310nm 10km Fiber Optical Transceiver Module, Find Details and Price about Transceiver Fiber Optical Transceiver from Industrial

[Read More](#)

## **How to choose your home Internet service in Laos?**



When comparing the prices between the different service providers in Laos, it is important to take into consideration the installation costs and the

[Read More](#)

## **Wholesale Price High Precision Digital CNC Router Fiber Laser**

The company is a national high-tech enterprise and a large-scale enterprise. At present, it has applied for more than 50 patents and software copyrights in the field of artificial crystals and optical

[Read More](#)

## **25G SFP28 LR DML 1310nm 10km Optical Transceiver (Industrial Grade)**

GIGALIGHT 25G SFP28 LR optical transceiver modules for 5G fronthaul transmission are compliant with IEEE 802.3cc 25GBASE-LR Ethernet transport protocol, and are compatible with both CPRI

[Read More](#)



## Laos

Discusses distribution network from how products enter to final destination, including reliability of distribution systems, distribution centers, ports, etc.

[Read More](#)

## Laos Internet

Although Lao PDR Internet services improved after 2010, by 2024 they still suffer from bandwidth limitations and congestion - as in many other

[Read More](#)

## Transport Hardware

Tracks the vendors that sell optical transport and router hardware, the customer



markets that purchase it, and provides detailed market share and

[Read More](#)

## Contact Us

---

For datasheets, pricing, or custom data center infrastructure solutions, please visit:  
<https://www.zeldaterblanchephotography.co.za>