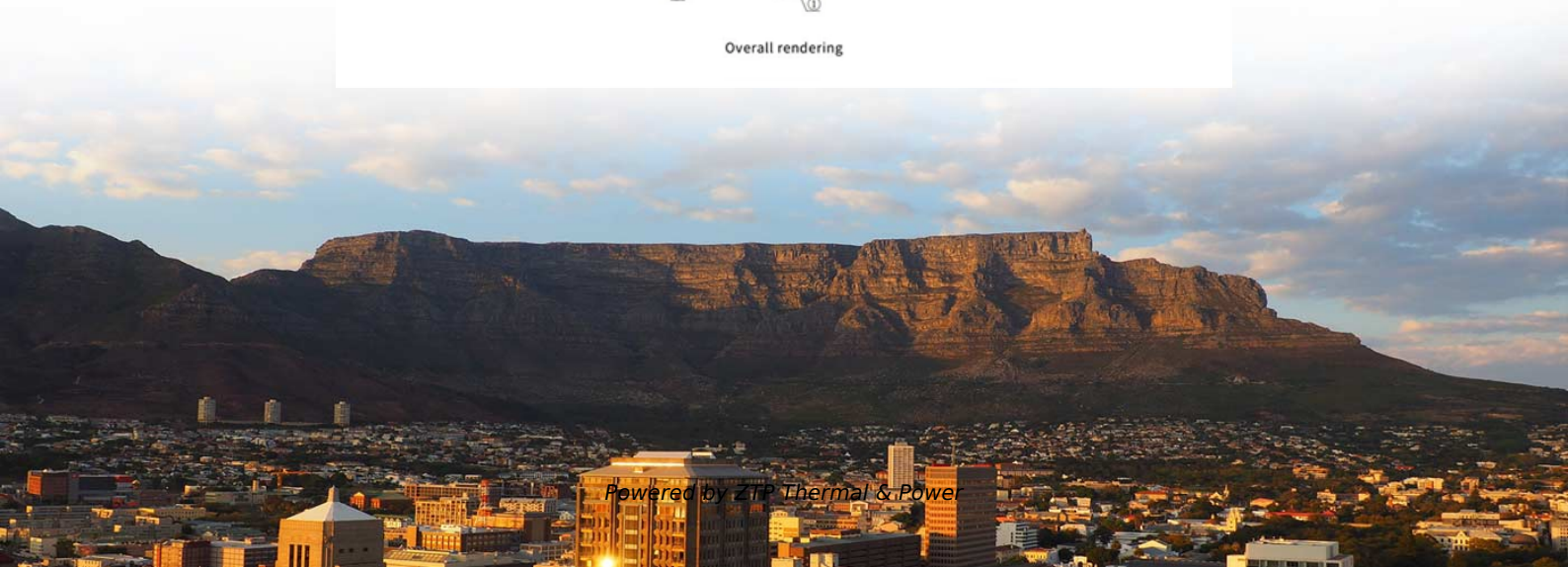
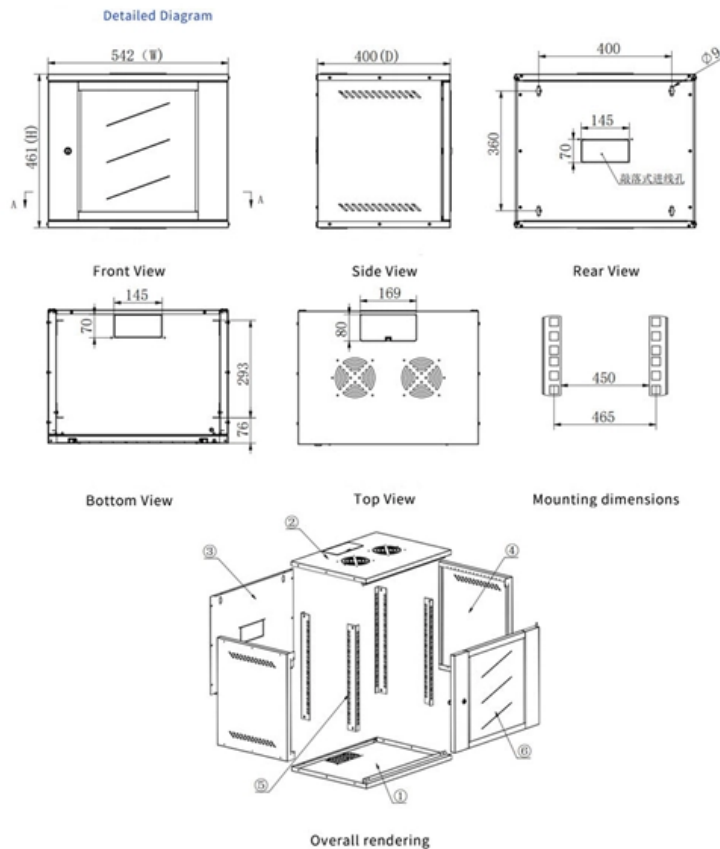


National Standard Requirements for Optical Cable Operating Temperature





Overview

Standard glass fiber optic cables (diffuse and transmitted beam) = -40 F to +500F (-40 to +260C) Custom glass fiber optic cables (diffuse and transmitted beam) = -40 F to +900F (-40 to +482C) Standard plastic fiber optic cables (diffuse and transmitted beam) = -67F to +158F (-55. They define a minimum baseline of quality and workmanshi for installing electrical products and systems. As a trusted provider of optical communication solutions, Weunion offers a range of high-quality optical fibers engineered for diverse thermal conditions—from frigid polar regions to scorching industrial settings. (FOA) was founded in 1995 to help develop the workforce to build the fiber optic networks to support a rapid expansion in communications and the Internet.



National Standard Requirements for Optical Cable Operating Temperature

ITU-T Rec. L.163 (11/2018) Criteria for optical fibre cable

Summary Recommendation ITU-T L.163 describes criteria for the installation of optical fibre cables defined in Recommendation ITU-T L.110 in remote areas with lack of usual infrastructure for

[Read More](#)

eCFR :: 7 CFR 1755.902 -

The cable and jacket retention must be sufficient to prevent jacket slippage over the operating temperature range. (2) The normal temperature ranges for cables must meet paragraph 1.1.3 of

[Read More](#)



Calculated operating temperatures of thermally insulated electric cables

Predictions of the steady-state operating temperatures of thermally insulated current-carrying electric cables have been presented for the special case of a cable buried axially in a cylinder of thermal

[Read More](#)

Operating Temperature Range of Optical Transceivers Explained

In the realm of optical networking, the operating temperature range of transceivers is a critical factor influencing performance, reliability, and longevity. Selecting the appropriate

[Read More](#)

Electrical Conductor and Temperature Ratings



Cable ties should not be considered conductor or cable insulation, and their insulating value, if any, is not evaluated in present product standards. Maximum and minimum operating temperature ratings

[Read More](#)

Optical Fiber Cable Installation Guideline

Forexample, physical hazards such as high temperatures or operating machinery should be noted and the cable route planned accordingly. If the fiber optic cable has metallic components, it should be

[Read More](#)

Maximum operating temperatures for types of cable

Download Table , Maximum operating temperatures for types of cable insulation from publication: An Effective Cable Sizing Procedure Model for Industries and

[Read More](#)



CORNING OPTICAL COMMUNICATIONS GENERIC

1.2 Plenum Applications - Applicable Flame Test: NFPA 262. Cables shall be listed OFNP.

1.3 Finished cables shall conform to the applicable performance requirements of the Insulated Cable Engineers

[Read More](#)

WIRE AND CABLE MINIMUM OPERATING TEMPERATURE AND

PRODUCT TESTS - COLD BEND AND COLD IMPACT Cold bend and cold impact tests provide the minimum cold temperature rating (minimum operating temperature, aka "low-temperature rating") of

[Read More](#)

Wiley Online Library , Scientific research articles, journals, books



Hier sollte eine Beschreibung angezeigt werden, diese Seite lässt dies jedoch nicht zu.

[Read More](#)

FAQ: Electrical cable operating temperature , Eland Cables

Answering the frequently asked question: what is a cable's continuous conductor operating temperature. The operating temperature of an electrical cable refers to the min. and max. temperature that the

[Read More](#)

ITU-T Rec. L.163 (11/2018) Criteria for optical fibre cable

This Recommendation also describes how to mitigate the considerable risks and/or issues to which the optical fibre cable may be exposed when infrastructures are minimal during installation, maintenance

[Read More](#)



Temperature Limitation of Optical Fiber Cables , UpCodes

Optical fiber cables must be used within their specified temperature limits to ensure proper functioning. Exceeding the rated operating temperature can lead to performance issues or damage to the cables.

[Read More](#)

Optical Fibre Cable Technical Specification

This Specification covers the design requirements and performance standard for the supply of optical fibre cable in the industry. YOFC ensures a stable quality control system for our cable products

[Read More](#)

Handbook Optical fibres, cables and systems

At about the same time, GaAs semiconductor lasers, operating continuously at room



temperature, were demonstrated. The simultaneous availability of compact sources and of low-loss optical fibres led to

[Read More](#)

Relationship Between Temperature and Fiber Optic Cable

The maximum operating temperature for fiber optic cable is typically around 70 degrees Celsius (158 degrees Fahrenheit). Exceeding this temperature limit can

[Read More](#)

Operating Temperature

Operating Temperature Leaded Glass fiber is capable of operation up to 900°F (482°C). Silica fiber has a much higher heat tolerance, but the buffer used in the construction of these fibers makes the

[Read More](#)



What are the operating temperature ranges for standard photoelectric

What are the operating temperature ranges for standard glass and plastic fiber optic cables ? Standard glass fiber optic cables (diffuse and transmitted beam) = -40 F to +500F (-40 to +260C)

[Read More](#)

What is the operating temperature range for fiber optic cables? -40°C

The operating temperature range for fiber optic cables is typically specified as -40°C to +70°C. This range is designed to ensure that the cable maintains its integrity and performance under various

[Read More](#)

Temperature profile for fiber optic cable preconditioning.



Fiber optic cables are widely used in modern systems that must provide stable operation during exposure to changing environmental conditions. For example, a

[Read More](#)

How Much Temperature Can Optical

Learn the temperature limits of optical fiber (standard, high-temperature, low-temperature), how heat/cold affects performance, and how to choose resilient fibers for your

[Read More](#)

INTRODUCTION INDUSTRY STANDARDS

INTRODUCTION Understanding temperature ratings is key to ensuring that cable will withstand the rigors of installation and last its expected lifespan. Many end-users specify the high end of the

[Read More](#)



The Importance of Industrial Temperature Optics for Reliable Network

10 10 Deploying industrial temperature rated equipment for reliable network operation
This white paper describes why industrial temperature rated optical transceivers are required in specific applications

[Read More](#)

Do You Know How Much Temperature Can the Optical

The working temperature of standard optical fiber network cable is $-40^{\circ}\text{C} \sim +75^{\circ}\text{C}$. If it is an optical fiber cable used in industry, each fiber cable has a different

[Read More](#)

What's the minimum installation and operating



Extremely cold weather can impact your cables. Learn more about the minimum installation and operating temperatures for cables and why they are

[Read More](#)

Do You Know How Much Temperature Can the Optical

Different types of optical fiber cables have an upper limit. The working temperature of standard optical fiber network cable is $-40^{\circ}\text{C} \sim +75^{\circ}\text{C}$.

[Read More](#)

Microsoft Word

Minimum Installation & Operating Temperatures The minimum handling and installation temperature of a cable is dependent on many factors, including the type of cable, the severity and speed of bending

[Read More](#)



FOA Standard For Installing Fiber Optic Cable Plants

This standard describes procedures for installing and testing cabling networks that use fiberoptic cables and related components to carry signals for communications, security, control and similar purposes.

[Read More](#)

Contact Us

For datasheets, pricing, or custom data center infrastructure solutions, please visit:
<https://www.zeldaterblanchephotography.co.za>