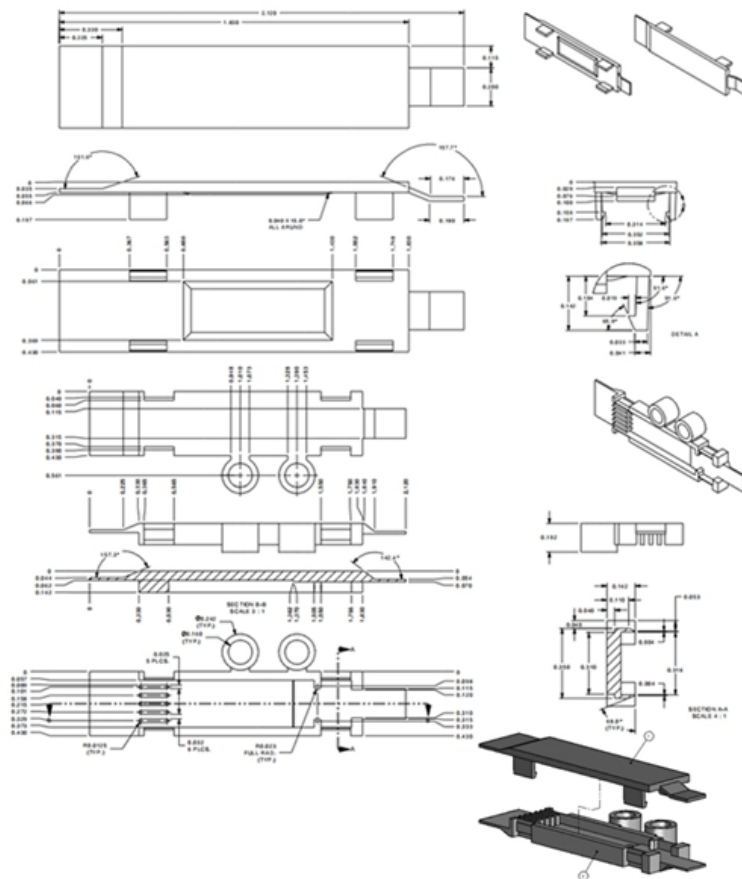


Network service cabinet composition





Overview

A Network Cabinet, often interchangeably called a server rack, is a physical frame or enclosure designed to house and organize various types of network hardware and accessories. A network cabinet is a special box that holds your IT gear, like servers, switches, routers, and patch panels. Basically, it's the backbone of a smooth-running network, making sure your equipment works well. Server rack is most commonly use in data center environments, but you can also found it in smaller.



Network service cabinet composition

What is a Network Cabinet (Rack) and Why You Need

Discover what a network cabinet (rack) is, why it's essential and how to choose the right type (wall mount vs floor mounted closet).

[Read More](#)

The Ultimate Guide to Network Cabinets: Everything

It will cover what network cabinets are, their benefits, major types, how to choose and many more. So, keep learning! 1) What is a network cabinet?

[Read More](#)



What do you put in a network server cabinet?

This paper explores the essential components, layout principles, and best practices for equipping a network server cabinet, with a focus on functionality, efficiency, and scalability.

[Read More](#)

Network Cabinet Essentials: Organizing Your Network

Discover the pivotal role of a Network Cabinet in managing IT infrastructure. Learn about types, technical features, and best practices.

[Read More](#)

Network cabinets and accessories

Vandal proof cabinets are equipped with extra strong locking system, to ensure the safety of your equipment. These cabinets don't have a luxurious looks like standart network/server cabinets, but as

[Read More](#)



A comprehensive guide to telecom racks and cabinets

Learn more about the vital role of telecom racks and cabinets play in ensuring seamless connectivity and network efficiency.

[Read More](#)

What Are the Key Components Inside a Network Cabinet?

To ensure the smooth operation of your network infrastructure, it is essential to understand the key components inside a network cabinet. In this article, we will delve into these components to

[Read More](#)

Network cabinets - SCHÄFER IT-Systems



Network cabinets are there to ensure the organisation and security of network hardware such as switches, routers, patch panels and other components. While

[Read More](#)

Detailed Explanation of the Composition and Function of Various

4. A wire outlet cabinet Outlet cabinet: It is the switch cabinet of the bus distribution of electric energy sent to the power transformer, and this switch cabinet is one of the 10kV outlet

[Read More](#)

What is A Network Cabinet and how to choose it

1. What is a Network Cabinet? A network cabinet houses and organizes critical IT systems, which can configure to support a wide range of

[Read More](#)



What Is the Network Cabinet Systems, and How Do

What is a network cabinet system? Network cabinet systems, also known as server cabinets or racks, accommodate the technical components and equipment used

[Read More](#)

How to Properly Install and Set Up a Network Cabinet

Installing and setting up a network cabinet system correctly is essential for maintaining an efficient and organized network infrastructure. In this

[Read More](#)

How do network cabinets work?

Network cabinets, also known as server cabinets or network enclosures, are designed to



provide a secure and organized housing for

[Read More](#)

Major Hardware Components in a Network Cabinet

Network cabinets are essential components of nearly every data center. They are available in a variety of prototypes. They are different models such as a 2-column

[Read More](#)

UK Telecom Cabinet and Enclosure Manufacturing , Constant Group

Extensive experience manufacturing enclosures, cabinets, and brackets for a diverse range of network operators, system integrators and global telecom OEMs.

[Read More](#)



Network Cabinet vs. Server Cabinet , FIBEYE

Network cabinets prioritize structured organization, cable management and adequate ventilation for networking equipment. Server cabinets, on the other hand, focus on stability, load-bearing capacity,

[Read More](#)

Network Cabinet Cabling: Guide & Documentation Tips

The most important thing in brief: Network cabinet cabling describes the structured connection and arrangement of all IT components in a server rack. The aim is a secure, maintainable and scalable

[Read More](#)

Differences Between Server, Network, & Data Racks & Cabinets

Untangle the terminology. Learn the differences between racks & cabinets in general, as



well as the nuances between server, network, & data racks & cabinets.

[Read More](#)

Network Cabinet Design: A Guide for Engineers and

In today's interconnected world, the network closet has become a critical component in both sprawling data centers and compact enterprise

[Read More](#)

Important Components That Any Network Cabinet

Before you purchase a network cabinet, you must know the important components that every standard network cabinet should have. This article

[Read More](#)



Understanding Network Cabinet And Its Roles For The

A network cabinet is an important supporting tool for technicians who operate servers in communication centers. However, the following are the roles

[Read More](#)

What is A Network Cabinet and how to choose it

Network cabinet is tall, breathable frame designed to organize various devices efficiently. Its structured layout maximizes floor space and keeps server

[Read More](#)

Network Cabinets: The Essential Guide for Your IT Infrastructure -

As demand for data storage and cloud services rises, network cabinets are more important than ever. Check out the table below to see how the global data center rack market, including network cabinets,

[Read More](#)



Arc Control Ltd , Network Cabinets

Home Network Cabinets Network Cabinets: A network cabinet, also known as a Server rack or server cabinet is a combination of hardware structures designed to

[Read More](#)

Network Cabinet Design: A Guide for Engineers and

This guide delves into the art and science of designing an efficient and effective network closet. It's not just about housing equipment, but creating a

[Read More](#)

Date Network Cabinets , The WiFi Specialist



Data network cabinets are smaller in depth than server rack cabinets due to the size of some servers but with our professional guidance, you can be sure you are

[Read More](#)

The Ultimate Guide to Network Cabinets: Everything

Figure no 2 Network cabinet You know, most cabinets are provided with a lock that allows authorized personnel only to the hardware enclosed.

[Read More](#)

What is the difference between a Server cabinet and a

Explore the key differences between server and network cabinets in IT infrastructure, focusing on size, cooling, design, and equipment needs.

[Read More](#)



How do network cabinets work?

The choice of a specific network cabinet depends on the organization's requirements, the amount and type of equipment to be housed,

[Read More](#)

Contact Us

For datasheets, pricing, or custom data center infrastructure solutions, please visit:
<https://www.zeldaterblanchephotography.co.za>