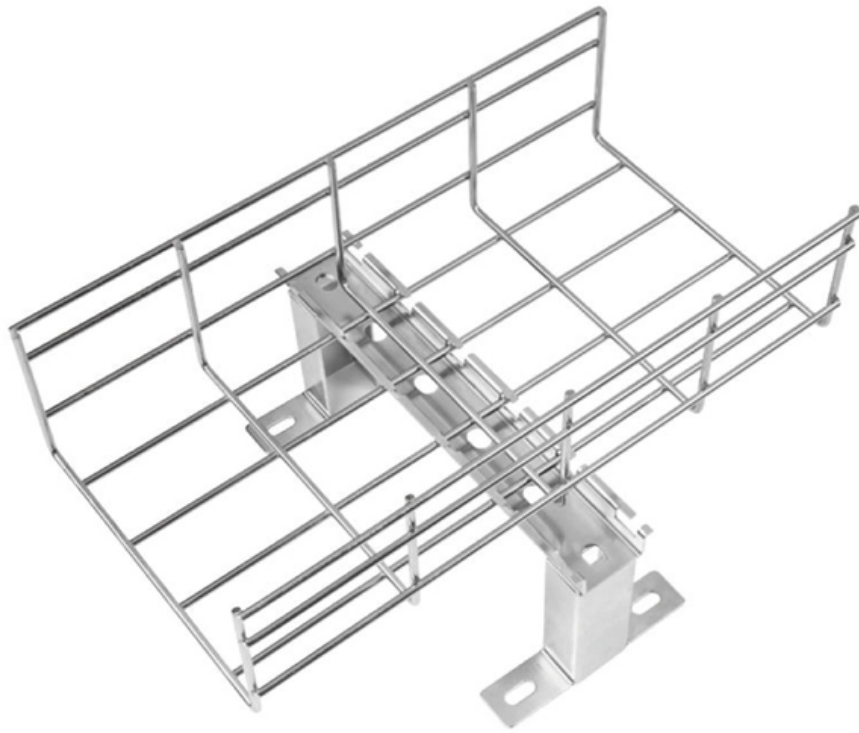




ZTP Thermal & Power

Patch panel converted to optical splitter





Patch panel converted to optical splitter

fiber optic patch panel

Professional Fiber Optic Patch Panel Solutions Leading manufacturers specializing in MPO high-density and fusion splice patch panels. Tailored colors, shapes, and materials to meet your exact specifications.

[Read More](#)

Fiber Patch Panels , Eaton

Need Help Finding Fiber Panels? Tripp Lite's full line of Fiber Panels allows you to add high-density cassettes to your rack installation or complete singlemode or multimode fiber connections with no

[Read More](#)



Functions of Fiber Optic Patch Panel

Wall mount fiber optic patch panel use the inside fiber optic adapters and patch cables, fiber optic pigtailed to realize the function of optical fiber distribution. They

[Read More](#)

Fiber Patch Panel: An Ultimate Guide

Fiber Optic Patch Panel in a Rack How Do Fiber Patch Panels Work? Fiber patch panels work by providing a centralized location for terminating,

[Read More](#)

Fiber Optic Patch Panels

In the ODFs, fibers are terminated with pigtailed and SC, LC and E2000 adapters. As for the design, they can be hinged, draw-out or modular. The network patch

[Read More](#)



High-density PLC Splitter Patch Panel , Nexconec

Nexconec introduces a new family of high performance fiber optic PLC Splitter loaded into 19-in Rack Mount Panels for today's high-port count applications that

[Read More](#)

1U Splitter Patch Panel-Data center cabling solution supplier- JFOPT

Supports the installation of PLC splitters, FBT splitters, and hybrid installations, compatible with different forms of package installation. The both mounting ears are adjustable by using different fixing hole, to

[Read More](#)



NEW PATCH PANEL FOR HOUSING SPLITTERS

New patch panel for housing splitter with a capacity of up to 2:32 fibers. It offers compatibility with different types of splitter, both made of metal and plastic, and fits perfectly with 19?

[Read More](#)

What does a Fiber Patch Panel do?

Cable Termination: Fiber optic cables from different parts of a network are terminated and connected to the patch panel, providing a centralized point for cable

[Read More](#)

Rack Mount Patch Panel Type PLC Splitter, SC / LC

Features: 1U patch panel type PLC splitter 1×4, 1 (2)×8, 1 (2)×16, 1 (2)×32 PLC optical splitter assembled Single-mode fiber SMF-28e With SC/UPC, SC/APC,

[Read More](#)



Comprehensive Guide to Optical Splitters

An optical splitter is a crucial passive fiber optic device that splits and combines optical signals. It can distribute the optical energy transmitted through a

[Read More](#)

Optical Splitters Demystified: The Silent Heroes

An Optical Splitter, also known as a beam splitter, is a passive optical device that divides a single input optical signal into two or more output signals.

[Read More](#)

PLC splitters in 19' patch panel

PLC splitters in 19" patch panel Features Easy management of PON elements Clear



description of PON elements installed Possible installation of 1U and 2U in 19"

[Read More](#)

fiber optic patch panel

Leading manufacturer specializing in MPO high-density and fusion splice patch panels. Tailored colors, shapes, and materials to meet your exact specifications. Comprehensive range of patch panels

[Read More](#)

1:32 Fiber optic splitter in Patch Panel with SC/APC

Fiber optic patch panel delivered complete with 1:32 splitter terminated in SC/APC connectors. Can be mounted in 19 and metric cabinets/racks for compact cabling

[Read More](#)



Understanding Fiber Patch Panels: A Comprehensive

A fiber patch panel is essential in assisting with this issue as it provides a systematic method of terminating, connecting and organizing fiber

[Read More](#)

1:64 Fiber optic splitter in Patch Panel with SC/APC

Fiber optic patch panel delivered complete with 1:64 splitter terminated in SC/APC connectors. Can be mounted in 19 and metric cabinets/racks for compact cabling

[Read More](#)

Optical Fiber Patch Panel with Splitter, Fully Loaded

PATCH PANEL Optical Fiber Patch Panel with Splitter, Fully Loaded TECHNICAL SHEETS ARE SUBJECT TO CHANGE WITHOUT NOTICE.

[Read More](#)



Fiber Panel , Patch Panel , ODU-L23 , PLC Splitter

LongXing's Rack Mount Fiber Splitting Enclosure (3U) ODU-L23 is an integrated unit for fiber management with a protection function, to hold OSP-M1 PLC Splitter.

[Read More](#)

1:4 Fiber optic splitter in Patch Panel with SC/PC

Fiber optic patch panel delivered complete with 1:4 splitter terminated in SC/PC connectors. Can be mounted in 19 and metric cabinets/racks for compact cabling

[Read More](#)

Optical Splitter



The Optical Splitters also allow the users to non-intrusively test and collect data from "live" STM-1 circuits. Connecting / patching an STM-1 optical link through an Optical Splitter: 10 Optical "Splitter"

[Read More](#)

Fiber Optic Patch Panel Types & Best Practices

Explore Fiber Optic Patch Panel Types, Rack-Mount & Wall-Mount Panels, Connectivity Options, Troubleshooting, Upgrades, and Best Practices.

[Read More](#)

Fiber Optic Splitter: How It Works & Types Guide

This guide demystifies fiber optic splitters, explaining their design, operating principles, types, key specifications, and real-world applications.

[Read More](#)



The Ultimate User Guide to Fiber Patch Panel

Benefits of Using Fiber Optic Patch Panels Fiber patch panels are important hardware equipment for data centers. Using fiber optic patch panels

[Read More](#)

Understanding the Difference Between ODF and Patch

The primary function of an ODF is to distribute optical signals from one cable to multiple others. This process is done using a combination of fiber

[Read More](#)

Types of Fiber Optic Patch Panels

Fiber Optic Patch Panel Fiber optic patch panel, also known as the fiber distribution panel, is used mainly in fiber optic cable management. It helps network technicians in minimizing the clutter of wires



[Read More](#)

Optical Splitter

The Optical Splitters "split" the input optical signal received by it on input optical ports and provide the outputs simultaneously, in a pre-specified ratio 90:10 or 80:20.

[Read More](#)

Contact Us

For datasheets, pricing, or custom data center infrastructure solutions, please visit:
<https://www.zeldaterblanchephotography.co.za>