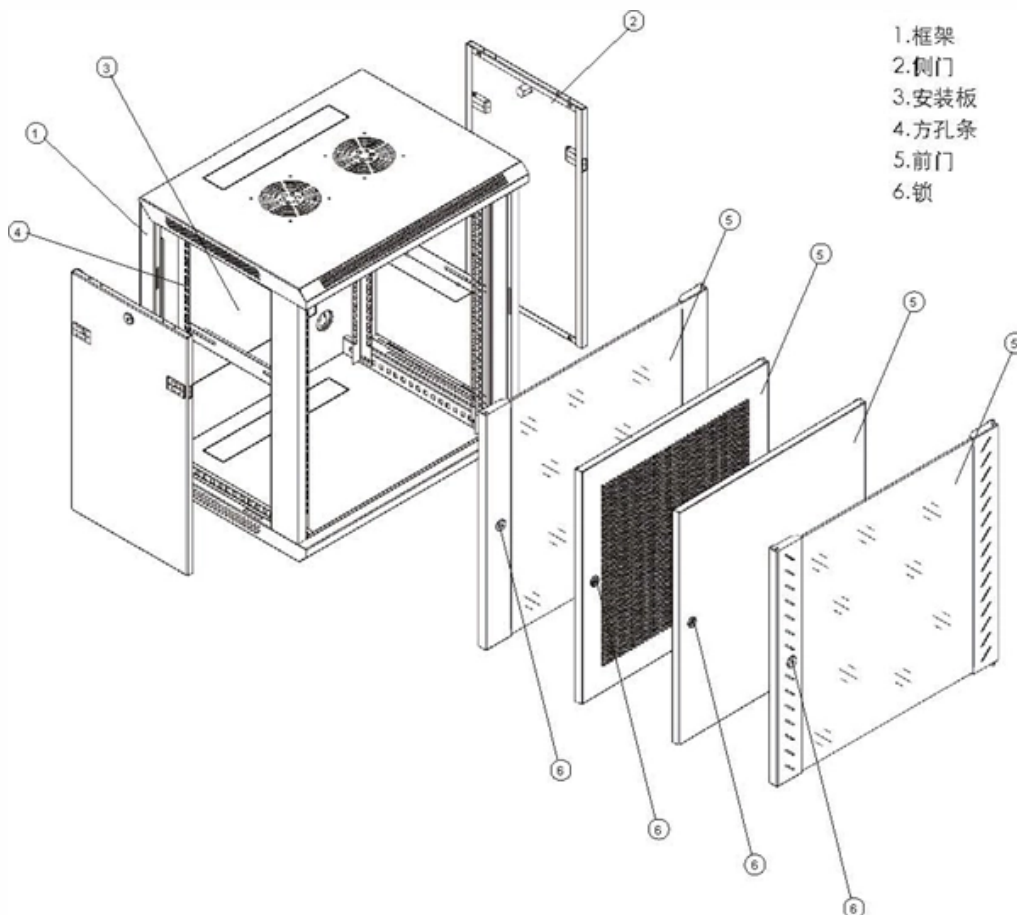


Relay Protection Device Control Circuit





Relay Protection Device Control Circuit

Protective Relay : Working, Types, Circuit & Its Applications

PDF file

Basic protection relay knowledge - ABB

A fast and selective arc fault mitigation for air-insulated LV & MV switchgear and Relion protection and control relays and sensor technology protect staff and plant facilities for many years.

[Read More](#)

Introduction to Protective Relaying

Introduction to Protective Relaying What are Protective Relays, or Protection Relays? Protective relays are used in industrial power generation and supply

[Read More](#)



Protective Relay Basics

The objective of this presentation is to convey a basic understanding of protective relays to an audience of engineers already familiar with low voltage protective device coordination.

[Read More](#)

SEL-311L Line Current Differential Protection and Automation System

Use the SEL-311L Relay with integral four-zone distance backup for easy-to-apply, high-speed line protection.

[Read More](#)

All About Circuits



Premier publication and forum for electrical engineers providing educational material, tools, industry insight, videos, podcasts and conferences

[Read More](#)

Protection Relay : Circuit, Working, Types, Codes & Its

Thus, this is an overview of the protective relay or protection relay, working, circuit, types, functions, codes, characteristics, advantages,

[Read More](#)

C& S Electric

Control & Signalling Devices Industrial Plugs and Sockets Surge Protection Devices Final Distribution Products Miniature Circuit Breakers Modular Switches WiNtrip

[Read More](#)



Relay control and protection guides

Protection Relays The relay is a well known and widely used component. Applications range from classic panel built control systems to modern

[Read More](#)

Practical handbook for relay protection engineers , EEP

This handbook covers the code of practice in protection circuitry including standard lead and device numbers, mode of connections at terminal

[Read More](#)

Protection Relay : Circuit, Working, Types, Codes & Its

Protection Relay: Working, Circuit, Types, Codes, Functions & Its Applications November 1, 2023 By Wat Electrical A relay is a four-terminal

[Read More](#)



What is Protection Relay?

The protection relay opens the circuit breaker connected to the malfunctioning component of the system by producing a trip signal when it

[Read More](#)

Protection Relay:Types, wiring diagram and working principle.

Protection relay is an electromechanical monitoring safety device which senses fault and provide trip signal to the breaker as per set value in LT and HT panel. The Protection devices is over current

[Read More](#)

The Basics of Control Relays , Relay Control Systems



The Basics of Control Relays Relays are magnetic electromechanical devices with two primary purposes: to isolate different circuit voltages, and to form larger

[Read More](#)

Types of Electrical Protection Relays or Protective Relays

A protective relay is an automatic device that detects abnormalities in an electrical circuit and closes its contacts. This action completes

[Read More](#)

Protective Relay : Working, Types, Circuit & Its

The protective relay diagram is shown below. Protection Relay Protective Relay Working Principle A protective relay is used to protect the device once the fault is

[Read More](#)



Relay

Relays with calibrated operating characteristics and sometimes multiple operating coils are used to protect electrical circuits from overload or faults; in modern

[Read More](#)

DwyerOmega , Shop for Sensing, Monitoring and

Explore DwyerOmega's comprehensive range of industrial sensing, monitoring, and control solutions from thermocouples to pressure transducers engineered for

[Read More](#)

Protective Relay Basics

Low Voltage Circuit Breaker Low Voltage Protection (



Contact Us

For datasheets, pricing, or custom data center infrastructure solutions, please visit:
<https://www.zeldaterblanchephotography.co.za>