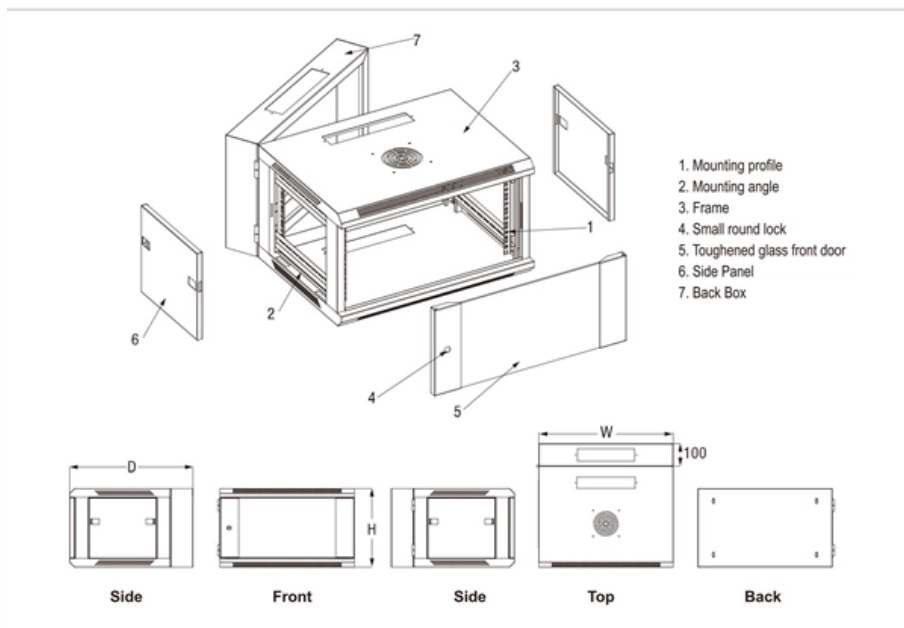


Switch connects two broadband connections





Switch connects two broadband connections

Understanding Routers, Switches, and Network Hardware

A modem connects your home network to the Internet, and a router ensures the traffic from the Internet reaches the correct device on your network

[Read More](#)

Ethernet Splitter vs. Switch: What's the Difference?

Short on Ethernet ports and looking to connect an extra device or two to your wired network setup? You're likely to encounter two options: an Ethernet

[Read More](#)



Multiple Internet Connections with automatic switchover

Multiple Internet Connections with automatic switchover I'd like a really fast, redundant home Internet connection that uses hardware to automatically combine two Gigabit Internet sources for increased

[Read More](#)

How to use Deco with two ISPs?

In the event of such an outage, the backup limited broadband connection will automatically activate to ensure uninterrupted connectivity. How

[Read More](#)

Ethernet Splitter vs Switch: How to Use Each

The two most popular are the ethernet splitter and the ethernet switch. These two methods of splitting your ethernet connection are similar but offer different

[Read More](#)



How to Connect Two Routers Together (Wired and Wireless Methods)

Learn how to connect two routers together using LAN-to-LAN, LAN-to-WAN, or wireless bridge methods. Step-by-step guide with IP conflict prevention.

[Read More](#)

How to combine multiple internet connection?

Explore how to combine multiple internet connection, how to setup multiple internet connections and how to merge multiple internet connection into

[Read More](#)

Can I connect two routers to one switch?



I want to connect two routers to a switch which will then be connected to a modem. Now as far as I know a switch does not do network translation and this won't work

[Read More](#)

How To Use A Network Switch With 2 Routers

Learn how to effectively use a network switch with 2 routers to expand your network and optimize connectivity. Discover the best practices for

[Read More](#)

Managing multiple internet connections to a single switch

We have 2 internet connections coming in to our building - neither are great (2 different routers from different providers). Are there technologies in Network Switches to support active

[Read More](#)



How to combine two Internet connection into one switch

We currently have two different internet providers coming into our office (one is a backup), and each is going into separate switches. From the two

[Read More](#)

Dual-WAN vs. Link Aggregation: The 2x Bonus , Dong

If you're confused between Dual-WAN vs. Link Aggregation, you'll find all the necessary answers here via the ASUS RT-AX89X router!

[Read More](#)

How to Connect Two Routers to Expand Your Wi-Fi Network

Steps for Wireless Connection (Repeater/Bridge) Follow the steps below to establish the wireless internet connection: Place the secondary router in a location with good reception from the



How to combine two internet connections on a single router

Yes, it is possible to combine two internet connections from different providers into a single router, as long as it supports the dual-band function and allows the combination of networks.

[Read More](#)

Multiple connections between router and switched network

Some routers have an embedded switch (some of the interfaces act as layer 2 switch ports). If this router is one of those then the solution is simple -

[Read More](#)

4 Ways to Combine Two Internet Connections



At home I have the following setup - a tp-link switch modem connected to the internet and 2 routers (both AX53 3000), connected to that

[Read More](#)

networking

I have 2 broadband connections, each from a different vendor; Is there a device i can plug both to and have them broadcast a single SSID that i can connect to and never notice a downtime

[Read More](#)

Connecting two independent networks onto a switch

When you connect two IPv6 SLAAC capable routers to the same subnet using a switch, a client will get advertisements from both and will usually accept all of them; it will have multiple IPv6

[Read More](#)



How to Merge Multiple Internet Connections for Better

When working remotely, having a stable connection is essential. Here's how to merge multiple internet connections to do this.

[Read More](#)

What is an Ethernet switch?

What is an Ethernet switch? An Ethernet switch is a type of network hardware that is foundational to networking and the internet. Ethernet switches connect cabled

[Read More](#)

How To Combine 2 or More Internet Sources: Bonding, Load

How To Combine 2 or More Internet Sources: Bonding, Load Balancing, Failover



Fstoppers 1.05M subscribers Subscribed

[Read More](#)

4 Ways to Combine Two Internet Connections

4. Multi-WAN VPN Routers: Multi-WAN VPN routers are specialized networking devices that allow users to connect to multiple Internet connections and create a single, secure virtual private network (VPN).

[Read More](#)

What Is a Network Switch? I Spoke With a Netgear

If your household frequently relies on your home broadband connection to stream or game, these activities can hog a lot of bandwidth. It helps to have a network

[Read More](#)



How to Connect Two Switches Together: A Comprehensive Guide

How to connect two switches together? Are you looking to expand your network infrastructure and connect multiple switches together? Connecting switches can be achieved through

[Read More](#)

Two internet connections within one network

This isn't a switch question, not much the switch can help here - there is no just plug two routers to a LAN solution. For two "standard" ISP connections, you need a Dual- or Multi-WAN

[Read More](#)

Contact Us

For datasheets, pricing, or custom data center infrastructure solutions, please visit: <https://www.zeldaterblanchephotography.co.za>