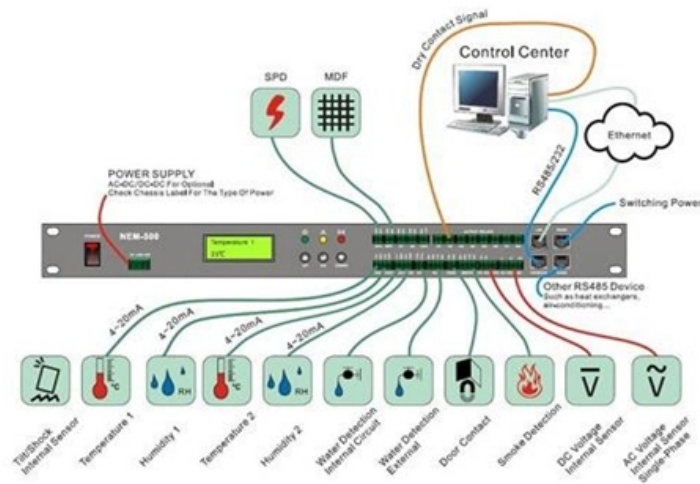


Thermo Spectrometer





Thermo Spectrometer

Thermo Fisher TSQ Vantage Triple Quadrupole Liquid

Overview The Thermo Fisher TSQ Vantage is a high-performance triple quadrupole liquid chromatography-mass spectrometry (LC-MS/MS) system engineered for ultra-sensitive, highly

[Read More](#)

Printed Circuit Board Assembly (PCBA), Data Acquisition (DAQ),

Printed Circuit Board Assembly (PCBA), Data Acquisition (DAQ), Noise Figure (NF) Board, and an Instrument Control Board replacement for a Thermo Exploris Mass Spectrometer Single

[Read More](#)



Thermo Scientific(TM) Evolution(TM) 201/220 UV-Vis-Spektrophotometer

Optimieren Sie Ihre Analysen und profitieren Sie von Vielseitigkeit und Produktivität in Ihrem Labor - mit den Thermo Scientific(TM) Evolution 201 und 220 UV-Vis Spektralphotometern.

[Read More](#)

Thermo Scientific Multiskan GO Microplate

Führen Sie photometrische Forschungsanwendungen wie z.B. DNA-, RNA- und Proteinanalyse mit dem Thermo Scientific(TM) Multiskan(TM) GO Mikrotiterplatten

[Read More](#)

UV/VIS , UV/VIS-Spektrometer , Thermo Fisher Scientific

UV/VIS-Spektrometer von Thermo Fisher Scientific bieten zuverlässige, quantitative



spektroskopische chemische Analysen für Labore in den Bereichen Lehre, Forschung und Industrie.

[Read More](#)

UV VIS , UV Vis Spectrometers , Thermo Fisher Scientific

UV-Vis Spectrometers from Thermo Fisher Scientific provide reliable, quantitative spectroscopy chemical analysis for teaching, research, and industrial labs.

[Read More](#)

FTIR , FTIR Microscopes , FTIR Spectrometers , Thermo Fisher

FTIR spectrometer and microscope capabilities A full range of FTIR solutions for spectroscopic analysis From the simple-use Thermo Scientific Nicolet Summit spectrometer to the highly configurable

[Read More](#)



FTIR-Spektrometer

Führen Sie mit dem vollständigen Sortiment an Thermo Scientific FTIR-Mikroskopen und FTIR-Spektrometern die qualitative und quantitative Analyse einer Vielzahl organischer und anorganischer

[Read More](#)

Buy Infrared and FTIR Spectrometers For Sale, New

Buy and sell, new and used infrared spectrophotometers. LabX is your online marketplace for new and used Infrared and FT-IR Spectrometers.

[Read More](#)

Raman Spectroscopy Academy

Raman Spectroscopy Academy Learn the fundamentals of Raman spectroscopy and how you can apply this technology to your research, analytical and QA/QC



UV-Vis Spectrophotometers

Thermo Fisher Scientific is dedicated to improving the human condition through systems, consumables, and services for researchers.

[Read More](#)

Mass Spectrometry

Mass Spectrometry Discover easy, high-throughput, quantitative workflows for proteins, drug metabolites, pesticides and many other applications. Whether you're detecting disease biomarkers or

[Read More](#)

Thermo Scientific(TM) EASY-ETD Option for Orbitrap(TM)



Excedion(TM) Pro

The Thermo Scientific(TM) EASY-ETD Option for Orbitrap(TM) Excedion(TM) Pro is a powerful upgrade that unlocks advanced fragmentation capabilities, allowing researchers to perform more detailed,

[Read More](#)

Molecular Spectroscopy

Molecular spectroscopy technologies Fourier transform infrared (FTIR) spectroscopy Achieve qualitative and quantitative analysis of a wide range of organic and inorganic samples with Thermo Scientific's

[Read More](#)

Thermo Scientific(TM) Mass Spectrometry Grade Protease

Thermo Scientific(TM) Mass Spectrometry Grade Proteases are high-quality sequence-specific enzymes designed for efficient, reproducible protein digestion prior to LC-MS/MS protein identification,



Mass Spectrometers

Thermo Fisher Scientific is dedicated to improving the human condition through systems, consumables, and services for researchers.

[Read More](#)

Thermo Scientific Spectrophotometers , Thomas Scientific

Thermo Scientific spectrophotometers provide precise optical measurements for research, clinical, and industrial applications. Thermo spectrophotometers ensure reliable quantification of nucleic acids,

[Read More](#)

Spectrophotometry , Fisher Scientific



Perform both basic and complex analyses with the Thermo Scientific(TM) GENESYS(TM) 30 Visible Spectrophotometer, an intuitive, reliable solution for education or in the

[Read More](#)

Mass Spectrometry

Whether you're detecting disease biomarkers or performing forensic analysis on drugs of abuse, our mass spectrometers give you the resolution, accuracy, sensitivity, and throughput that you need to

[Read More](#)

Thermo Scientific(TM) Orbitrap(TM) Excedion(TM) Pro Mass Spectrometer

The Thermo Scientific(TM) Orbitrap(TM) Excedion(TM) Pro Mass Spectrometer is a next-generation hybrid Orbitrap LC-MS platform engineered to support advanced research in metabolomics, lipidomics,

[Read More](#)



Thermo Fisher Launches Chromeleon 7.4 for Networked

Thermo Fisher's Chromeleon 7.4 centralizes chromatography and mass spectrometry workflows with networked access and data management.

[Read More](#)

Thermo Scientific Spectroscopy Solutions , Fisher Scientific

Find the right UV-visible or visible spectrophotometer whether you're teaching, performing quality assurance, or researching. Get the answers you need quickly with these reliable tools you can use

[Read More](#)

Contact Us

For datasheets, pricing, or custom data center infrastructure solutions, please visit:
<https://www.zeldaterblanchephotography.co.za>