



ZTP Thermal & Power

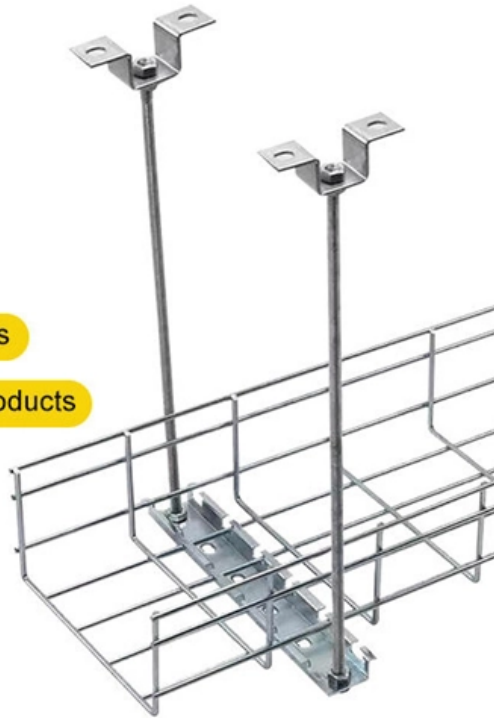
What are network cabinet cable management boxes called

STAINLESS STEEL WIRE MESH

Long-lasting and durable

Comprehensive specifications

Customized non-standard products





Overview

A cable management rack is designed to route, protect, and organize copper and fiber cables inside network cabinets. Effective cable management is essential in any networking space, from closets to data centers, to avoid disarray in cables and wires, aiding cable operators and administrators. Beyond keeping cables tidy, a well-structured cable manager reduces cable stress, improves heat dissipation, and ensures bend-radius compliance for data transmission stability. I researched the 'Tripp Lite SMART1500LCDXL 1500VA Smart UPS Back Up' you mentioned in your comment along with its brand, Tripp Lite, and I thought you might find the following analysis helpful.



What are network cabinet cable management boxes called

The Ultimate Guide to Network Cabinets: Everything

It is really frustrating to organise and manage the tangled web of cables, servers and networks. But there's nothing to worry about because ever

[Read More](#)

What is A Network Cabinet and how to choose it

Since network racks and cabinets are built to house equipment with lots of cables, cable management is even more important in a network rack or

[Read More](#)



What is Network Cable Management and Types

Ring type cable manager is a cable organizer with a ring structure that allows cables to be arranged and secured along the path of the ring,

[Read More](#)

Cable Boxes

UGREEN LP110-425 Cable Management Box - 42.5x17.5x15.5cm Cord Organizer Hide your cables elegantly: the perfect solution to cable chaos!

[Read More](#)

Guidelines for Server Rack Organization

Without an effective rack cable management solution, the cables inside a server rack can quickly turn into a tangled mess, creating significant

[Read More](#)



Exploring the Role of Network Cabinets in Modern IT

Network cabinets are the backbone of modern IT infrastructure -- organizing routers, switches, servers and wiring into secure, cool, manageable

[Read More](#)

What are these boxes called and how do they work? : r/it

The white box is called a Ubiquity Dream Machine Pro (UDMP) and it is the router/network device. The black box above the UDMP is a patch panel/switch and it is wired directly to the ethernet drops

[Read More](#)

Essential Cable Management for Network Cabinets:



A cable management rack is designed to route, protect, and organize copper and fiber cables inside network cabinets. Beyond keeping cables tidy, a

[Read More](#)

Mastering Cable Management: The Ultimate Guide to Floor Boxes

Discover the complete guide to efficient cable management with floor boxes and accessories. Learn about types, installation tips, and FAQs for seamless connectivity.

[Read More](#)

What is a Network Cabinet (Rack) and Why You Need

Discover what a network cabinet (rack) is, why it's essential and how to choose the right type (wall mount vs floor mounted closet).

[Read More](#)



Top 7 Network Cable Management Tools to Get Cables Under

When organizing cables in a network setup, two main types of cable management tools are commonly used--horizontal and vertical cable managers. While both serve the same purpose of

[Read More](#)

Network Cabinets: The Essential Guide for Your IT Infrastructure -

In today's digital age, businesses depend on their IT infrastructure to stay connected and efficient. A critical part of this setup is the network cabinet, which keeps your networking equipment safe and

[Read More](#)

Cable Management



Speed up deployment time and maximize space with Belden's cable management options, designed to optimize cable bandwidth and provide for maximum cabling

[Read More](#)

What are these boxes called and how do they work? : r/it

Since other network equipment is just fixed to the wall and not actually in the box itself I don't know if I could call it by what it's supposed to be and what I think you are really looking for- Which is an MDF-

[Read More](#)

Identifying BT and Virgin Media's Broadband Street

These cabinets are for either Virgin's Hybrid Fibre Coax (HFC) or FTTP network and come in various different sizes, albeit with broadly the same cosmetic

[Read More](#)



A Complete Guide to Data Center Cable Management -

Each rack and cabinet has a high density of cables, which makes it difficult to get access to other critical network components. With skillfully organized cable

[Read More](#)

Racks, Cabinets & Cable Management

Racks, Cabinets & Accessories Belden offers a complete line of Racks, Cabinets and Accessories that help maximize Data Center uptime and ROI. Full solutions

[Read More](#)

Best Cable Management Boxes

CR tested seven models to find the best cable management boxes. Cable management boxes can take your workstation from a cluttered mess to a



[Read More](#)

The Ultimate Guide to Setting Up a Home Network

The home network wiring cabinet is a dedicated space in your house where you can organize and centralize all the necessary equipment and connections for your

[Read More](#)

The Importance of Cable Management in Network Cabinet Systems

Proper cable management is crucial for maintaining the functionality, efficiency, and longevity of network cabinet systems. By preventing cable congestion, enhancing airflow, facilitating

[Read More](#)



Cable Management

Our reliable enclosures and accessories allow you to rapidly deploy an Ethernet/IP network on the plant floor while reducing installation time and life-cycle costs.

[Read More](#)

StarTech 28-Inch Wall-Mount Media Enclosure,

Amazon : StarTech 28-Inch Wall-Mount Media Enclosure, Cable Management Box for Network Distribution, Structured Media Enclosure :

[Read More](#)

Network Cabinet Essentials: Organizing Your Network

A Network Cabinet, often interchangeably called a server rack, is a physical frame or enclosure designed to house and organize various types of

[Read More](#)



Network Cabinet Cabling: Guide & Documentation Tips

The correct Network cabinet cabling ensures overview, operational reliability and scalability. But what is behind this term? Why is well-thought-out cabling necessary - and what can go wrong with poor

[Read More](#)

Network Cabinet Cable Management Solutions for

Network cabinet cable management solutions are essential for maintaining organized, accessible, and efficient server racks and network enclosures. These

[Read More](#)

Network Cable Management: Types, Benefits, and Best Practices for



Network cable management encompasses the tools, techniques, and infrastructure used to organize, protect, and route network cables (e.g., Ethernet, fiber optic, coaxial).

[Read More](#)

Network Cable Management: Complete Guide

Master network cable management with this complete guide. Learn best practices, tools, and tips to keep your setup organized, efficient, and easy to

[Read More](#)

Contact Us

For datasheets, pricing, or custom data center infrastructure solutions, please visit:
<https://www.zeldaterblanchephotography.co.za>