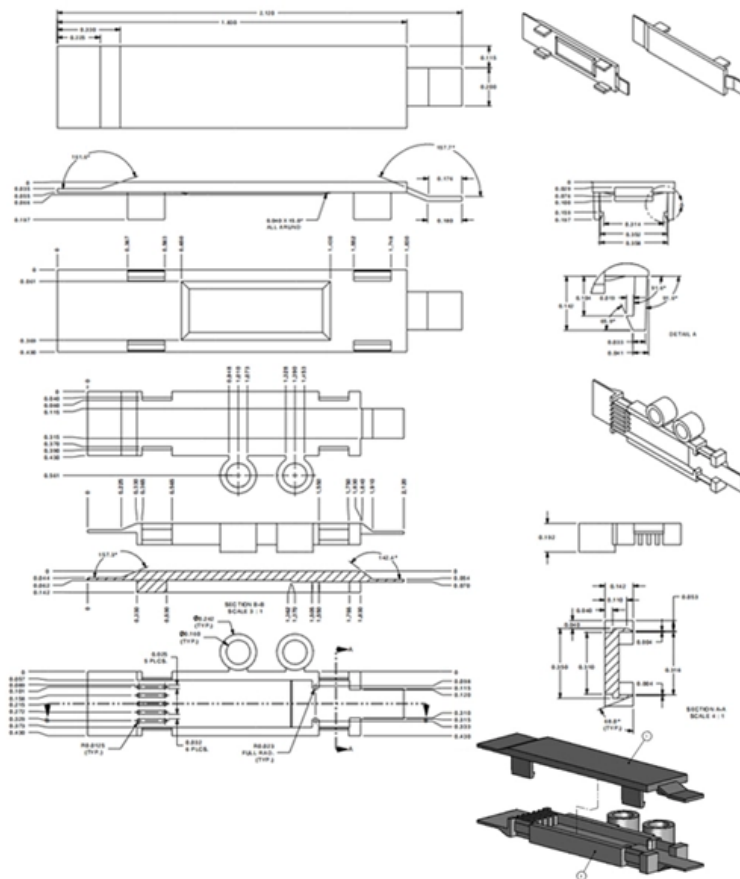


Which modular data center is better





Which modular data center is better

Modular Data Center Market

A modular data center is a prefabricated, portable data center solution that can be rapidly deployed and easily scaled. It consists of standardized components, such

[Read More](#)

Comparing Traditional vs. Modular Data Centers

Traditional data centers, while potentially more reliable, come with higher costs and longer timelines. As businesses continue to evolve and adapt to technological advancements, modular data centers are

[Read More](#)



The Complete Guide to Modular Data Centers: From

The digital world's insatiable demand for compute power and rapid deployment speed is fundamentally changing how we build data centers. The traditional,

[Read More](#)

Modular Data Centers: What They Are and What They

Learn what a modular data center is and when it is best fit for purpose. As well as the advantages and disadvantages of a modular design.

[Read More](#)

Modular or Traditional Data Centers Builds

"The future of data centers is modular," one popular website states. "The traditional data center is not dead," says another. Who is right?

[Read More](#)



Modular and Traditional Data Centers , Sysracks Blog

Comparison of Modular and Traditional Data Centers: Features, Benefits, Scalability, Cost, and Flexibility. Discover which model best suits your

[Read More](#)

Modular Data Centers: When They Work, and When

"Modular data centers address three major concerns of data center deployment: lead time, predictability, and cost," says Vlad Galabov, director of

[Read More](#)

Top 10: Modular Data Centre Companies

Here we highlight the top 10 companies leading the modular data centre revolution,



ranked by market leadership, innovation, global scale and

[Read More](#)

The Modular Data Center Ultimate Guide

Using prefabricated modules, these centers are operational in weeks rather than months, unlike traditional ones. This

[Read More](#)

Modular Data Centers: When They Work, and When

Modular data centers offer fresh opportunities for the industry, but that doesn't mean they are right for every occasion.

[Read More](#)



Modular Data Center Guide: Types & When It Wins , ModulEdge

Modular data centers: 5 form factors, what's inside, economics, and when prefabricated wins over traditional builds for 30 kW-8 MW workloads.

[Read More](#)

FCEL vs. OKLO: Which Data Center Power Stock Looks Better?

While OKLO targets long-term baseload power, FuelCell Energy focuses on modular systems for immediate demand.

[Read More](#)

Exploring Modular Data Centers: Benefits, Design, And

Understand the benefits and design considerations of modular data centers, including deployment strategies and case studies.

[Read More](#)



Modular data center vs. traditional: When to choose each

Discover if a modular or traditional data center is best by comparing topics like cost, energy efficiency, scalability and reliability.

[Read More](#)

The Modular Data Center Ultimate Guide

A modular data center is a quick, flexible, and cost-effective way to boost your data storage. Using prefabricated

[Read More](#)

Modular vs. Traditional Data Centers: What's the

Not sure if modular or traditional is right for you? Learn the real differences in data



center design and which approach fits your needs.

[Read More](#)

Modular Data Centers: A Smaller Alternative to

A modular data center is a prefabricated, self-contained unit -- often housed in a customized enclosure that resembles a shipping container -- that

[Read More](#)

Modular vs. Traditional Data Centers: How to Choose

Compare modular vs. traditional data centers. Learn key differences in cost, speed, scalability, and reliability to choose the best fit for your business.

[Read More](#)



What are Modular Data Centers and How Can They Help?

TL:DR Modular data centers use prefabricated modules to overcome supply chain constraints, permit delays & construction risks. Off-site

[Read More](#)

Data center trends 2026: Shifting up a gear

Top 10 data center trends for 2026: from accelerated builds & modular design to sustainability, edge growth, & quantum readiness. Future-proof your

[Read More](#)

Nasdaq: Stock Market, Data Updates, Reports & News

Get the latest stock market news, stock information & quotes, data analysis reports, as well as a general overview of the market landscape from Nasdaq.

[Read More](#)



Modular or Traditional Data Centers Builds

Discover if a modular or traditional data center is best by comparing topics like cost, energy efficiency, scalability and reliability.

[Read More](#)

Amazon's 'Project Houdini' Reinvents How Data Centers Are Built

Amazon's Project Houdini aims to accelerate AWS data center builds using modular construction, reducing labor hours and speeding up deployment.

[Read More](#)

Data Center Trends & Cooling Strategies to Watch in 2026



Discover 2026 data center trends shaping operations, including AI-driven demand, edge and modular growth, and advances in liquid cooling and

[Read More](#)

French data center firm Eclairion raises EUR50m, hosts

French modular data center operator Eclairion has raised EUR50 million (\$52m) and revealed it is hosting AI lab Mistral's new training cluster. The

[Read More](#)

Advancing Industrial AI Intelligence

Huawei Enterprise provides a broad range of innovative ICT infrastructure products and solutions for vertical industry and enterprise customers worldwide.

[Read More](#)

Contact Us



For datasheets, pricing, or custom data center infrastructure solutions, please visit:
<https://www.zeldaterblanchephotography.co.za>