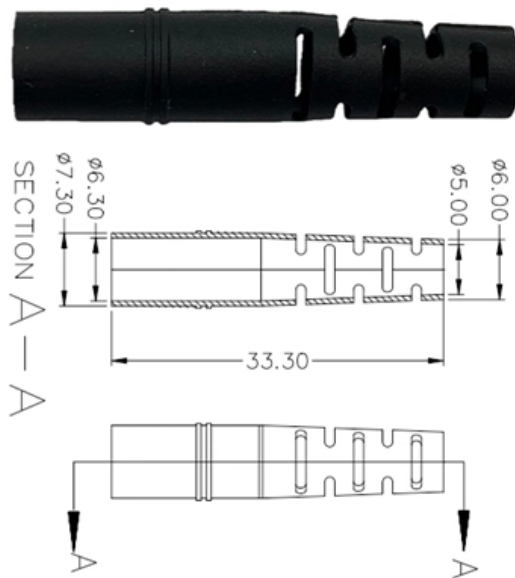


Wiring tape around electrical wires in distribution box





Overview

Applying tape directly to a wiring device is a protective measure that is often recommended in specific, high-risk situations inside a junction box. The primary benefit is insulating the exposed side-terminals, or screw heads, on a receptacle or switch after the wires. Electrical tape is a flexible, pressure-sensitive tape, typically made from polyvinyl chloride (PVC) vinyl, engineered to have high dielectric strength, meaning it is an excellent electrical insulator. Is it safe to wrap wires with electrical tape?

Have to remove some drywall and panel. While electrical tape is a tool every DIY enthusiast and electrician keeps nearby, knowing when it's safe to use and when a professional solution is needed makes all the difference. These cables are safely protected by a PVC outer jacket or 'sheath' that prevents access to dangerous live wires.



Wiring tape around electrical wires in distribution box

switch

Neither code nor device manufacturers require or even recommend that you to wrap tape on outlets, switches, wire nuts, or any other part of anything

[Read More](#)

Distribution Box Wiring Steps

?Wiring and Binding? ?Wiring Direction?: Wiring between the main circuit breaker and each branch circuit breaker in the box generally goes on the left, and

[Read More](#)



Tape Wrapping Wire & Cable Harnesses Guide - ZT

It applies to all tape materials which can be helically wound around a wire and cable bundle. The methods described are typical of industry installations

[Read More](#)

How To Protect Exposed Wiring in Your Home , Billy

Use Electrical Tape If you're on a tight budget or need a temporary solution, electrical tape offers a quick solution to secure exposed wires. Grab your roll of

[Read More](#)

The installation requirements for the distribution box

Learn how to install a distribution box safely and correctly. Covers wiring, placement, standards, and expert tips for a compliant setup.

[Read More](#)



Electrial Wiring and Air Sealing

If air sealed boxes are unavailable, all penetrations must be sealed. Air seal around all electrical wiring and electrical boxes installed through walls, ceilings, and flooring.

[Read More](#)

How to Use Electrical Tape on Exposed Wires (Step-by

Exposed wires are more than just an eyesore they can be a serious safety hazard if left untreated. From potential electrical shocks to the risk of fire,

[Read More](#)

How to Fix Exposed Electrical Wire: 3 Easy Options (& Tips!)

How to Fix Exposed Wires and Cables The best way to deal with minor damage on a wire



is to sheathe it. You can do this with Sugru putty or heat shrink wrap, although the easiest and fastest option is usually to wrap the

[Read More](#)

Master the Art of Electrical Tape Wires: Essential Tips for DIY

Electrical tape is a staple in any toolbox, offering a reliable and versatile solution for a multitude of electrical projects. Whether you're securing wire connections, insulating exposed wires,

[Read More](#)

Tape for Electricity: What Works, What Doesn't & Safety Tips

In this guide, you'll learn about the safest materials for electrical tape, the different situations where you should use electrical tape, and where other tools would be better.

[Read More](#)



Distribution Box Installation: A Complete Guide to Safe

Proper installation of a distribution box ensures electrical safety, efficiency, and reliability. In this comprehensive guide, we'll cover everything you need to know

[Read More](#)

Is there an NEC-compliant method of repairing minor

The damage is located halfway between the electrical box and the 5/8" hole in the frame's bottom plate where the wire disappears to beneath the floor somewhere.

[Read More](#)

switch

If you're tempted to put tape in a device box to stop electricity from going somewhere, it's because there is something else in the box that is done



Should You Wrap Outlets With Electrical Tape?

Applying tape directly to a wiring device is a protective measure that is often recommended in specific, high-risk situations inside a junction box. The primary benefit is insulating

[Read More](#)

Why do some wires in an electric panel have tape

If one of the two hot wires is white, it should have a black band around it near the breaker. Conversely, because only black wires are usually available in the larger

[Read More](#)

Labelling wires inside a circuit breaker box



8 wirenut splices inside my breaker box (to bring the 8 protected circuits over to a new transfer switch and breaker subpanel provided by the generator manufacturer, Generac Guardian).

[Read More](#)

Can We Use Tape To Connect Electrical Wires Together?

Taping wires together using duct tape is ridiculous and should not be used as a method of electrical connections. This is likely to breach the wiring regulations or

[Read More](#)

Can I Use Electrical Tape to Cover Exposed Wire?

Standard duct tape, masking tape, or painter's tape has no place in electrical work and can increase the risk of fire. Also, never use electrical tape as

[Read More](#)



Master the Art of Electrical Tape Wires: Essential Tips for DIY

This comprehensive guide will walk you through the essential steps and techniques for mastering the art of electrical taping, ensuring your projects are both functional and secure.

[Read More](#)

Electrical tape mastery: the ultimate step-by-step guide to secure wire

In this guide, we will show you how to electrical tape wires correctly, so you can ensure that your electrical connections are safe and secure. Once you have covered the twisted section of

[Read More](#)

Wrapping Electrical Tape Around Outlet: Should You Do It?



Are you confused on whether you should wrap electrical tape around your outlet or switch? Do not sweat! I'll give you all the answers and methods you need!

[Read More](#)

Is it safe to wrap wires with electrical tape? : r/AskElectricians

Are you planning on leaving this in the box or stuff it in the drywall? If the former, just put a wirenut on each wire. If the latter, further discussion is needed.

[Read More](#)

Ask a Pro: To tape, or not to tape outlets and switches?

Wrapping tape around outlets and switches is an easy way to avoid a headache later. I can't tell you how many times I've had to go behind other people and spend half a day opening outlets/switch

[Read More](#)



Contact Us

For datasheets, pricing, or custom data center infrastructure solutions, please visit:
<https://www.zeldaterblanchephotography.co.za>